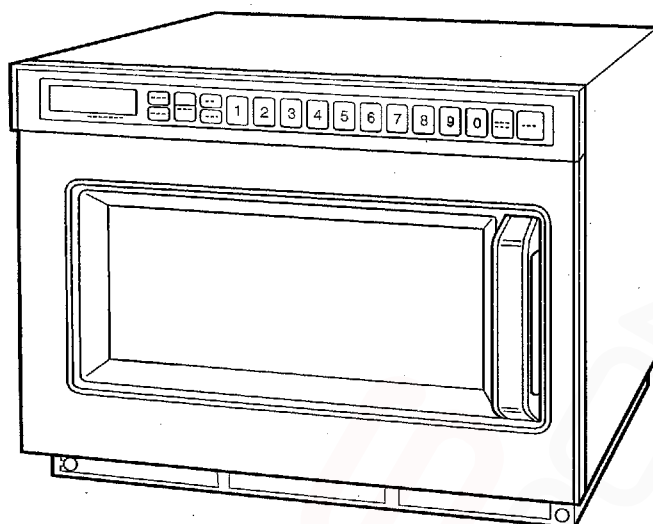


Service Manual

Microwave Oven

NE-1356**NE-1456****NE-1756****NE-1856**

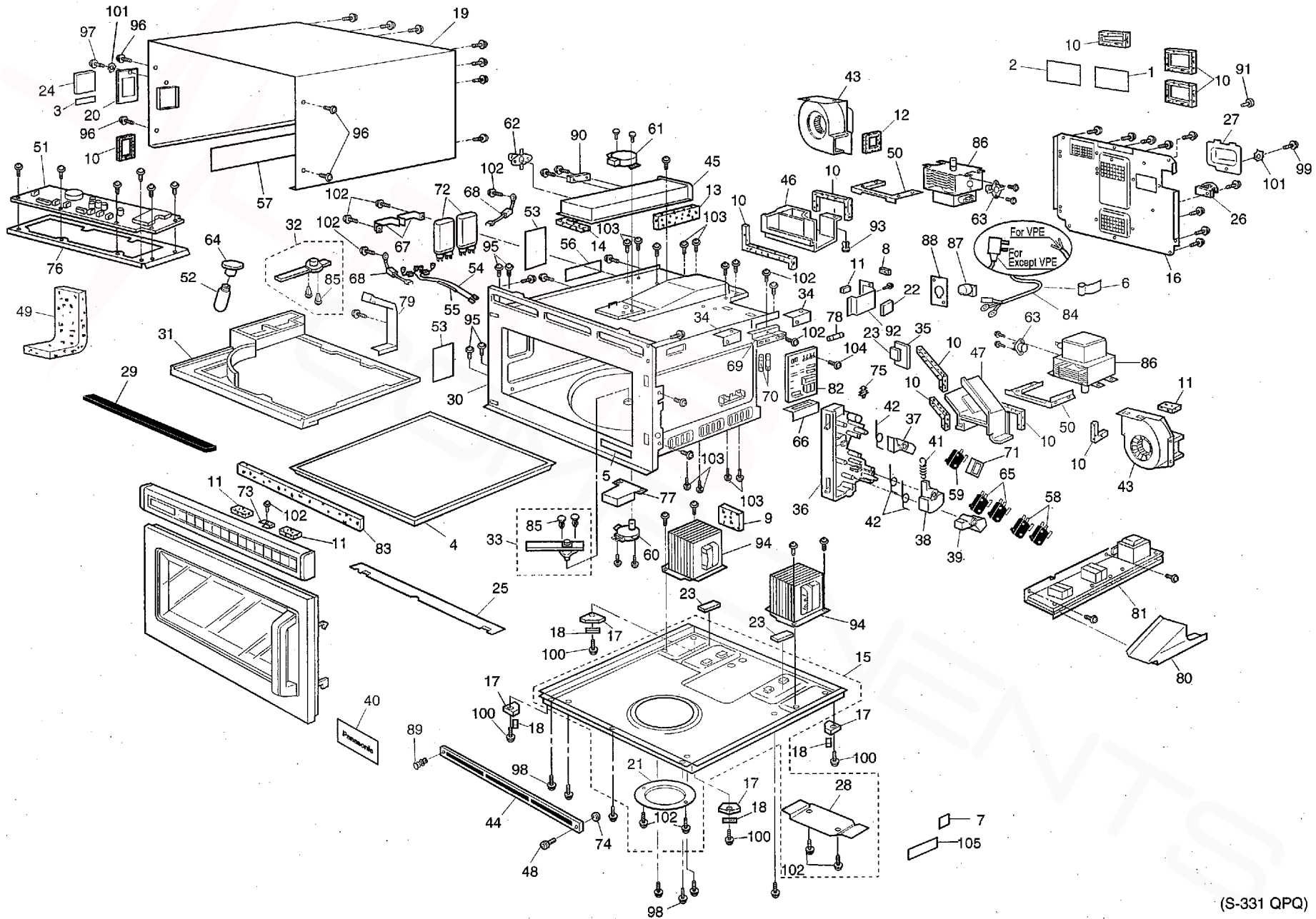
Specifications

		NE-1356	NE-1456	NE-1756	NE-1856
Power Source :		220-240 V AC Single Phase, 50Hz			
Power Requirement :		2230 W	2270 W	2780 W	2830 W
High frequency Output :	HIGH	1300 W (IEC-705)	1400 W (IEC-705)	1700 W (IEC-705)	1800 W (IEC-705)
	MED	650 W	700 W	850 W	900 W
	DEF	340 W	340 W	340 W	340 W
Frequency :		2450 MHz			
Timer :		15 Min. HIGH, MED 30 Min. DEF			
Outside Dimensions :		422 mm (W) X 508 mm (D) X 337 mm (H)			
Oven Cavity Dimensions :		330 mm (W) X 310 mm (D) X 175 mm (H)			
Weight :		30 kg			
Specification subject to change without notice.					

National/Panasonic

© 1996 Matsushita Electric Industrial Co.,Ltd.
All rights reserved. Unauthorized copying and
distribution is a violation of law.

EXPLODED VIEW



EXPLODED VIEW AND PARTS LIST

PARTS LIST

NOTE 1: When ordering replacement part(s), please use part number(s) shown in this parts list.

Do not use description of the part.

2: Important safety notice:




Components identified by  mark have special characteristics important for safety.

When replacing any of these components, use only manufacturer's specified parts.

3: Alphabet marks in Remarks columns (i.e. HNE etc) indicate parts applicable to only specified country models as follows.

HNE: For Hong Kong, VPE: For South Africa etc,
JPG: For New Zealand, MKQ: For Singapore,
MNQ: For Malaysia, QPQ: For Australia

Parts without these marks can be used for all models.

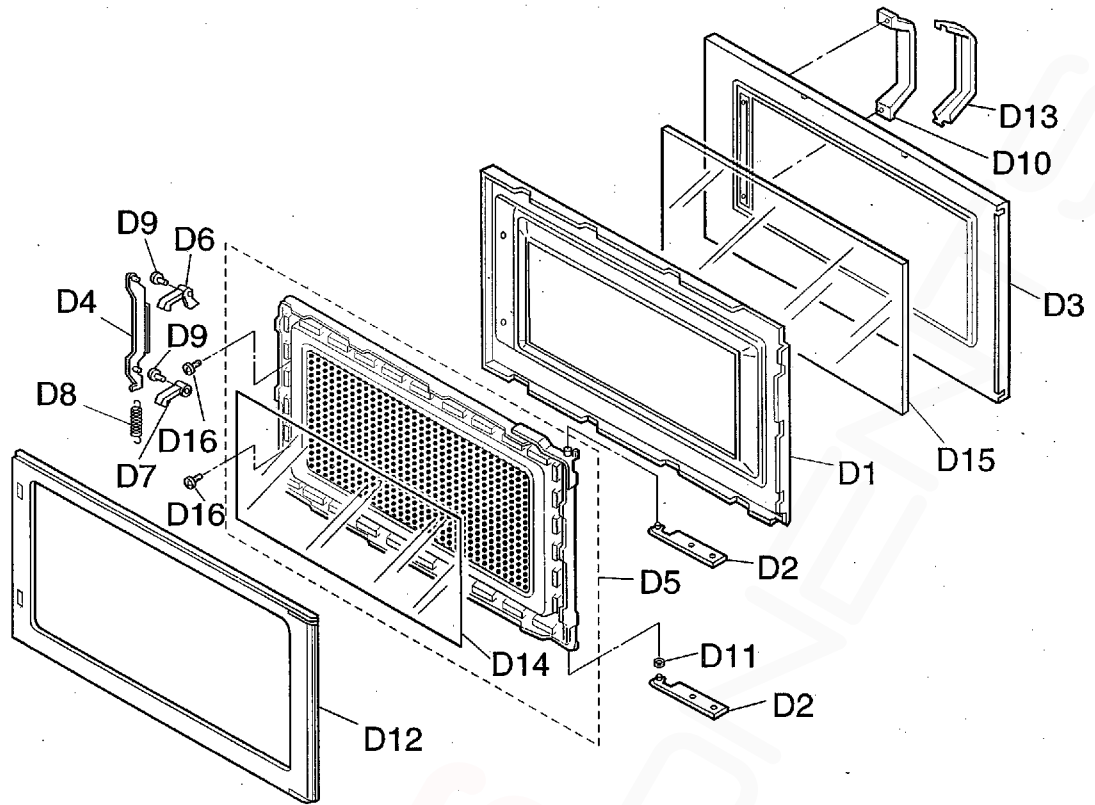
Ref. No.	Part No.	Part Name & Description	Pcs/ Set	Remarks
1	A00065460JP	CAUTION LABEL	1	
2	A00065540MN	CAUTION LABEL	1	NE-1456 MKQ,NE-1856 MKQ
3	ANE0072Z70GP	CAUTION LABEL	1	
4	ANE010T8U0AP	SHELF	1	
5	A01726210JP	CAUTION LABEL	1	NE-1456 JPG,NE-1856 JPG
6	ANE0239570BN	CORD LABEL	1	NE-1356 HNE,NE-1456 MKQ/MNQ, NE-1756 HNE,NE-1856 MKQ/MNQ
6	ANE0239L00XN	CORD LABEL	1	NE-1356 VPE,NE-1756 VPE
7	A02840000MK	NUMBER LABEL	1	NE-1456 MKQ,NE-1856 MKQ
8	ANE0901000CD	CUSHION RUBBER A	1	
9	ANE0911000MG	CUSHION RUBBER B	1	
10	ANE000Z000AA	CUSHION RUBBER C	10	
11	ANE000Z000AD	CUSHION RUBBER C	4	
12	ANE000Z000AB	CUSHION RUBBER C	1	
13	ANE0962000AP	CUSHION RUBBER D	1	
14	ANE0962000AV	CUSHION RUBBER D	1	
15	A100A-3280	BASE	1	W/FOOT,RUBBER FOOT (NOTE 4)
16	A100Q-3280	BACK PANEL	1	
17	A1007-3280	FOOT	4	
18	A1008-3280	RUBBER FOOT	4	
19	ANE10098U0AP	CABINET BODY	1	
20	ANE10268U0AP	LAMP COVER	1	
21	ANE10288U0AP	ANTENNA MOTOR COVER	1	
22	ANE10498U0AP	CUSHION RUBBER	1	
23	ANE1062-8U0	CUSHION RUBBER B	3	
24	A10923310GP	INTERRUPTION COVER B	1	
25	ANE11268U0AP	BASE BRACKET	1	
26	ANE11408A0AG	STOPPER	1	
27	ANE11548U0AP	BACK PANEL COVER	1	
28	ANE11668U0AP	BASE METAL	1	
29	ANE11748U0AP	SPACER	1	
30	 A200A-3280	OVEN	1	
31	 A2011-3470	CEILING PLATE	1	
32	A202K-3280	ANTENNA (U)	1	UPPER
33	A202R3320GP	ANTENNA B (U)	1	LOWER
34	A6070-3280	INSULATION SHEET A	2	
35	ANE21208U0AP	SPACER	1	
36	 A3020-3470	DOOR HOOK	1	
37	A3136-3470	HOOK SPACER A	1	
38	A3137-3470	HOOK SPACER B	1	
39	A3138-3470	HOOK SPACER C	1	
40	A31863310HN	DOOR PANEL	1	NE-1356 HNE
40	A31863310VP	DOOR PANEL	1	NE-1356 VPE
40	A31863310BP	DOOR PANEL	1	NE-1456 JPG/QPQ
40	A31863310MN	DOOR PANEL	1	NE-1456 MKQ/MNQ
40	A31863330HN	DOOR PANEL	1	NE-1756 HNE

Ref. No.		Part No.	Part Name & Description	Pcs/ Set	Remarks
40		A31863330VP	DOOR PANEL	1	NE-1756 VPE
40		A31863330GP	DOOR PANEL	1	NE-1856 JPG/QPQ
40		A31863330MN	DOOR PANEL	1	NE-1856 MKQ/MNQ
41		ANE32398U0AP	SPRING	1	
42		ANE32628U0AP	SPRING	3	
43		A400A3310GP	FAN MOTOR	2	55W
44		A400B-3280	AIR FILTER FLAME	1	
45		A400K-3180	EXHAUST GUIDE	1	
46		ANE40258U0AP	AIR GUIDE A	1	UPPER
47		ANE40268U0AP	AIR GUIDE B	1	LOWER
48		A4091-3280	SCREW	1	FOR AIR FILTER FLAME
49		ANE41038U0AP	AIR GUIDE CUSHION B	1	
50		ANE50328U0AP	MAGNETRON BRACKET	2	
51		A603L3310GP	D.P.CIRCUIT (U)	1	RTL (W/COMPONENT)
52		ANE6030Q50GN	INCANDESCENT LAMP	1	240V/25W
53		ANE60408U0AP	OVEN LAMP SHEET	2	
54		A606V-3280	PROTECTOR DIODE	1	CONNECTOR COLOR:RED
55		A606W-3280	PROTECTOR DIODE B	1	CONNECTOR COLOR:BLUE
56		ANE60708U0BP	INSULATION SHEET A	1	
57		A6071-3280	INSULATION SHEET B	1	
58	⚠	ANE6142-F60	MICROSWITCH	2	(V-15G-3C26) SECONDARY LATCH SWITCH
59	⚠	ANE61424L0AG	MICROSWITCH	1	(V-16G-3C26) PRIMARY LATCH SWITCH
60		A6144-3280	ANTENNA MOTOR	1	(2.5W) LOWER
61		A61446030AP	ANTENNA MOTOR	1	(2.5W) UPPER
62	⚠	A61454000AP	THERMAL CUTOUT	1	FOR OVEN
63	⚠	A61454210AP	THERMAL CUTOUT	2	FOR MAGNETRON
64	⚠	ANE61522Q0BP	SOCKET	1	
65		ANE6161-3X0	MICRO SWITCH	2	(V-16-1C25) SHORT SWITCH
66		A6170-3280	INSULATION SHEET C	1	
67		ANE61888U0AP	CAPACITOR BRACKET	2	
68	⚠	A62024000AP	DIODE,SI	2	
69		ANE62298U0AP	MOUNTING BRACKET	1	
70	⚠	A62304210BP	FUSE	2	10A
71		ANE6238X20AP	SPACER	1	
72	⚠	A63903310GP	H.V.CAPACITOR	2	NE-1356,NE-1456 AC2300V,0.82MF
72	⚠	A63903330GP	H.V.CAPACITOR	2	NE-1756,NE-1856 AC2300V,1MF
73		ANE64086Q0AP	WASHER	1	
74		A6408-3280	WASHER	1	FOR AIR FILTER FRAME
75		ANE65448U0AP	SPACER A	1	
76		A6585-3280	P.C.B.HOLDER	1	
77		A65943030GP	MOTOR COVER	1	
78	⚠	A65953170GP	FUSE	1	1.25A
79		ANE66038U0BP	OVEN LAMP BRACKET	1	
80		A6688-3180	COVER	1	
81		A692M3310HN	L.V.TRANSFORMER (U)	1	NE-1356,NE-1756
81		A692M3310GP	L.V.TRANSFORMER (U)	1	NE-1456,NE-1856
82		A692Y3310GP	NOISE FILTER (U)	1	
83		A8251-3180	SPACER	1	
84	⚠	A900C3310HN	AC CORD W/PLUG	1	NE-1356 HNE,NE-1456 MKQ/MNQ, NE-1756 HNE,NE-1856 MKQ/MNQ (220-240V)
84	⚠	A900C3310QP	AC CORD W/PLUG	1	NE-1456 JPG/QPQ,NE-1856 JPG/QPQ (230-240V)
84	⚠	A90243310VP	AC CORD W/OUT PLUG	1	NE-1356 VPE,NE-1756 VPE (220V)
85		ANE900T8V0AP	CLIP	4	FOR ANTENNA (U),ANTENNA B (U)
86	⚠	2M210-M1ECOM	MAGNETRON	2	
87		ANE9027510RN	CORD BUSHING	1	
88		A90353060GP	CORD BRACKET	1	
89		ANE90828U0AP	CLIP (BLACK)	1	FOR AIR FILTER FLAME
90		A601L5150AP	TEMP SENSOR	1	
91		ANE91438U0AP	CLIP (GLAY)	1	FOR BACK PANEL COVER

Ref. No.	Part No.	Part Name & Description	Pcs/ Set	Remarks
92	ANE91448U0AP	BRACKET	1	
93	ANE91628U0AP	CLIP B	1	FOR AIR GUIDE A
94	▲ J600B3310GP	H.V.TRANSFORMER	2	1.5KVA
95	XSWANE5+10U	SCREW	4	(5X10) FOR HINGE
96	XTC4+10BC	SCREW	4	4X10 (FOR CABINET BODY)
97	XTC4+10FC	SCREW	1	4X10 (FOR LAMP COVER)
98	XTC4+12BK	SCREW (BLACK)	2	4X12 (FOR BASE)
99	XTT4+8E	SCREW	1	4X8 (FOR BACK PANEL COVER)
100	XTWANE3+8EX	SCREW	4	3X8 (FOR FOOT)
101	XWC4BPN	WASHER	2	FOR BACK PANEL COVER, LAMP COVER
102	XYD4+EE12F	SCREW	11	4X12 (FOR DIODE,CAPACITOR BRACKET, SPACER,MOUNTING BRACKET,EARTH, ANTENNA MOTOR COVER,BASE METAL)
103	XYEANE5+C16T	SCREW	8	(5X16) FOR MAGNETRON
104	XYN4DF10BN	SCREW	1	4X10 (FOR NOISE FILTER)
105	A00073310HN	NAME PLATE	1	NE-1356 HNE
105	A00073310VP	NAME PLATE	1	NE-1356 VPE
105	A00073310JP	NAME PLATE	1	NE-1456 JPG
105	A00073310MK	NAME PLATE	1	NE-1456 MKQ
105	A00073310MN	NAME PLATE	1	NE-1456 MNQ
105	A00073310QP	NAME PLATE	1	NE-1456 QPQ
105	A00073330HN	NAME PLATE	1	NE-1756 HNE
105	A00073330VP	NAME PLATE	1	NE-1756 VPE
105	A00073330JP	NAME PLATE	1	NE-1856 JPG
105	A00073330MK	NAME PLATE	1	NE-1856 MKQ
105	A00073330MN	NAME PLATE	1	NE-1856 MNQ
105	A00073330QP	NAME PLATE	1	NE-1856 QPQ

NOTE 4 : Please order name plate together.

DOOR ASSEMBLY

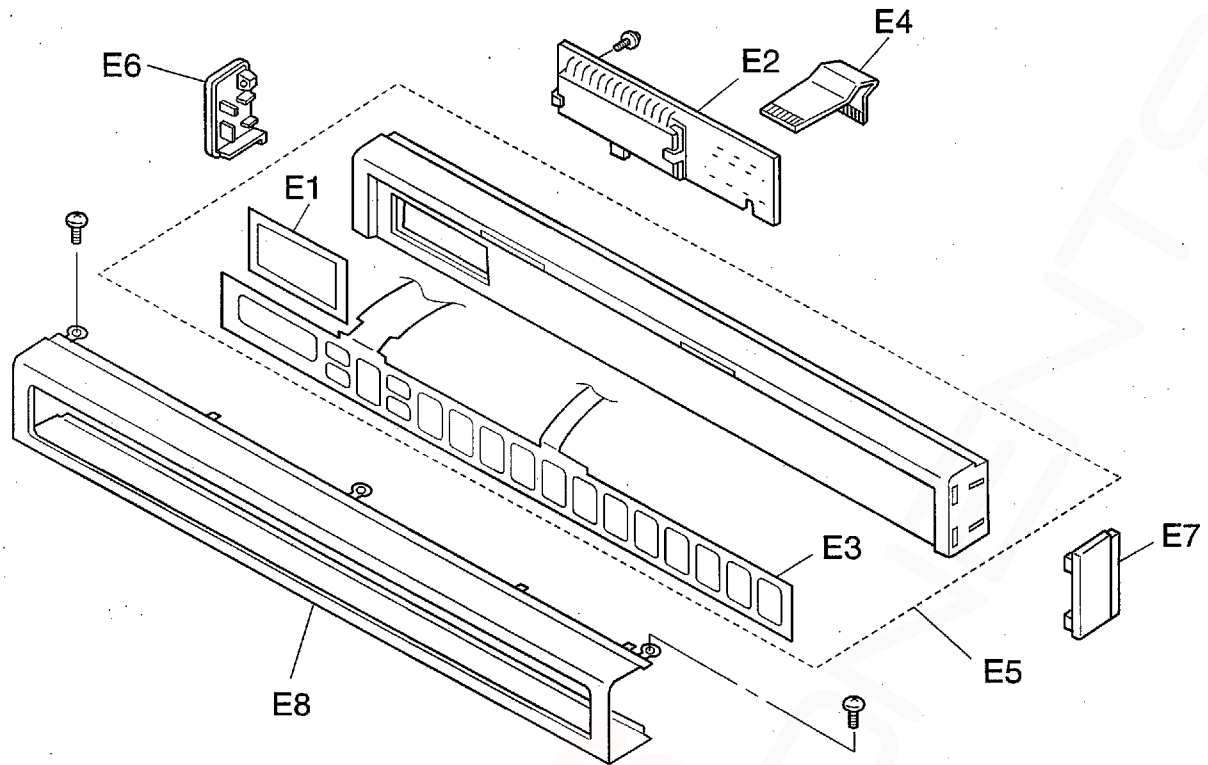


(S-331 QPQ)

Ref. No.		Part No.	Part Name & Description	Pcs/ Set	Remarks
D1		ANE30038U0AP	DOOR FRAME (U)	1	
D2	⚠	ANE30078U0AP	HINGE	2	
D3	⚠	ANE301A8U0AP	DOOR A	1	
D4		ANE301H8U0AP	DOOR KEY LEVER B	1	
D5	⚠	ANE301Q8U0AP	DOOR E (U)	1	
D6		ANE30188U0AP	DOOR KEY	1	
D7		ANE30198U0AP	DOOR KEY B	1	
D8		ANE30218U0AP	DOOR KEY SPRING	1	
D9		ANE30562Q0AP	HANDLE PIN	2	
D10		A30703170GP	HANDLE PEICE A	1	
D11		ANE3081P60AP	DOOR HINGE SPACER	1	
D12	⚠	ANE30858U0AP	DOOR C	1	
D13		ANE31348U0AP	HANDLE PEICE B	1	
D14	⚠	ANE31458U0AP	DOOR SCREEN A	1	
D15		ANE31468U0AP	DOOR SCREEN B	1	
D16		XYEANE4+C16T	SCREW	2	4X16

(S-331 QPQ)

ESCUTCHEON BASE ASSEMBLY



(S-331 QPQ)

Ref. No.	Part No.	Part Name & Description	Pcs/ Set	Remarks
E1	A8337-3280	ESCUTCHEON SHEET	1	
E2	A603M3310GP	PC BOARD B (U)	1	
E3	A64793310QP	MEMBRANE SWITCH	1	
E4	A6590-3280	FLAT CABLE	1	
E5	ANE801N8U0AP	ESCUTCHEON A (U)	1	
E6	ANE80028U0AP	ESCUTCHEON B	1	
E7	ANE80068U0AP	ESCUTCHEON D	1	
E8	ANE80348U0AP	ESCUTCHEON BASE	1	