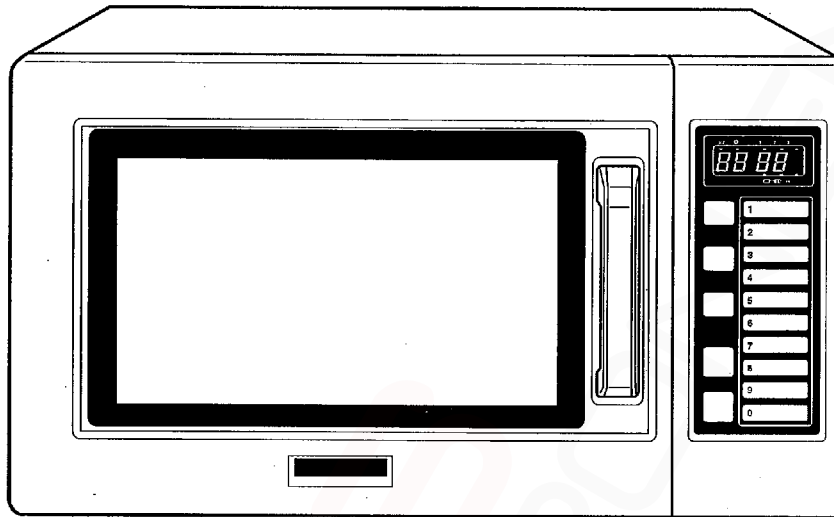


# Service Manual

Microwave Oven

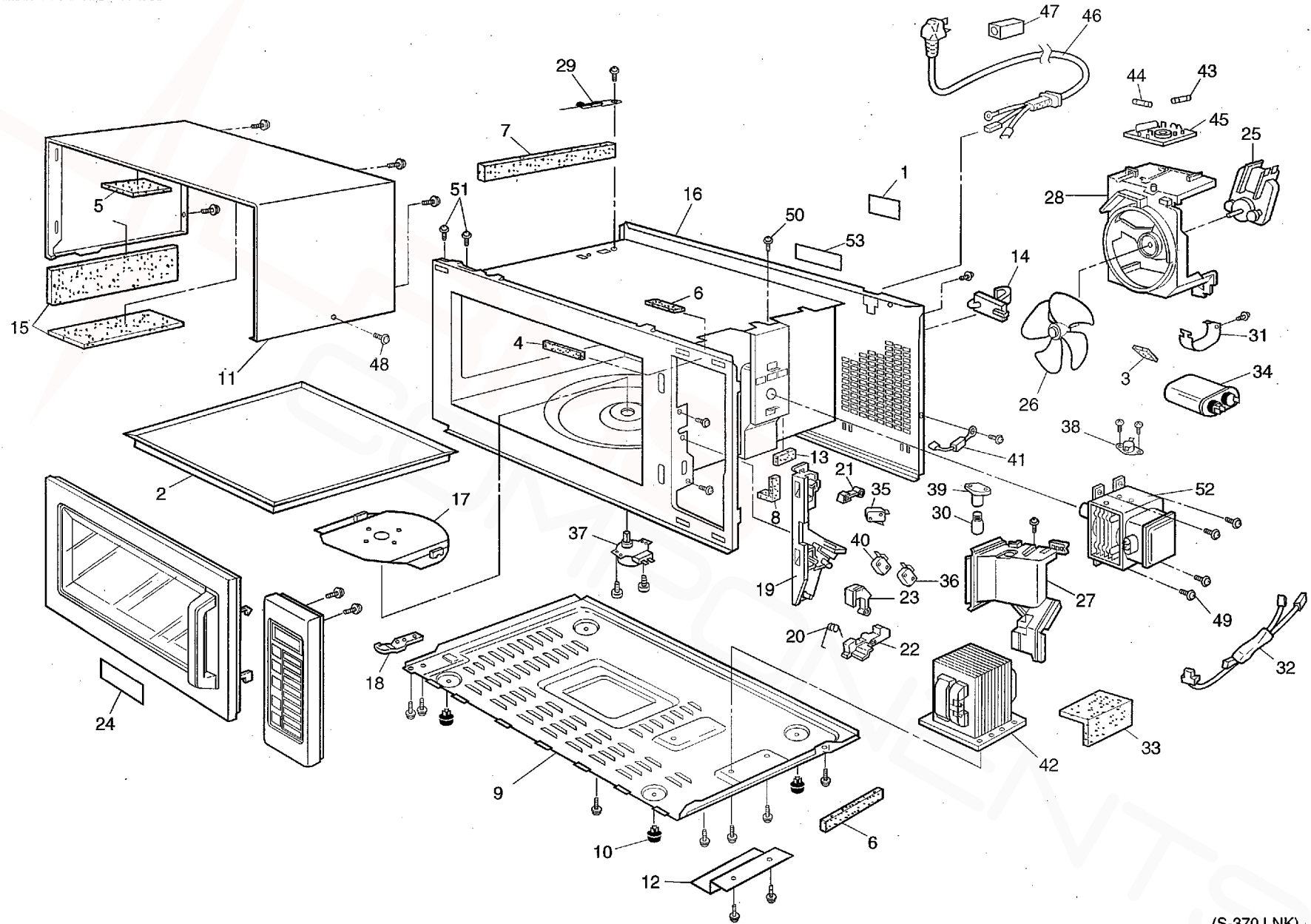
## NE-1037



### Specifications

Power Source	220 V 60 Hz, single phase
Required Power	7.5A 1510 W
Output	HI (high) 1000 W (IEC705) MED (medium) 500 W DEF (defrost) 340 W
Frequency	2450 MHz
Outer Dimensions (W X D X H)	510 mm X 360 mm X 306 mm
Cavity Dimensions (W X D X H)	330 mm X 330 mm X 200 mm
Net Weight	18 kg
Shipping Weight	20kg
Timer	HI (high) 30 minutes MED (medium) 99 minutes 99 seconds DEF (defrost) 99 minutes 99 seconds
Memory	10 Memory Pads with Double Quantity (X2) Pad
Specifications subject to change without notice.	

EXPLODED VIEW



EXPLODED VIEW AND PARTS LIST

(S-370 LNK)

# PARTS LIST

NOTE 1: When ordering replacement part(s), please use part number(s) shown in this parts list.

Do not use description of the part.

2: Important safety notice:

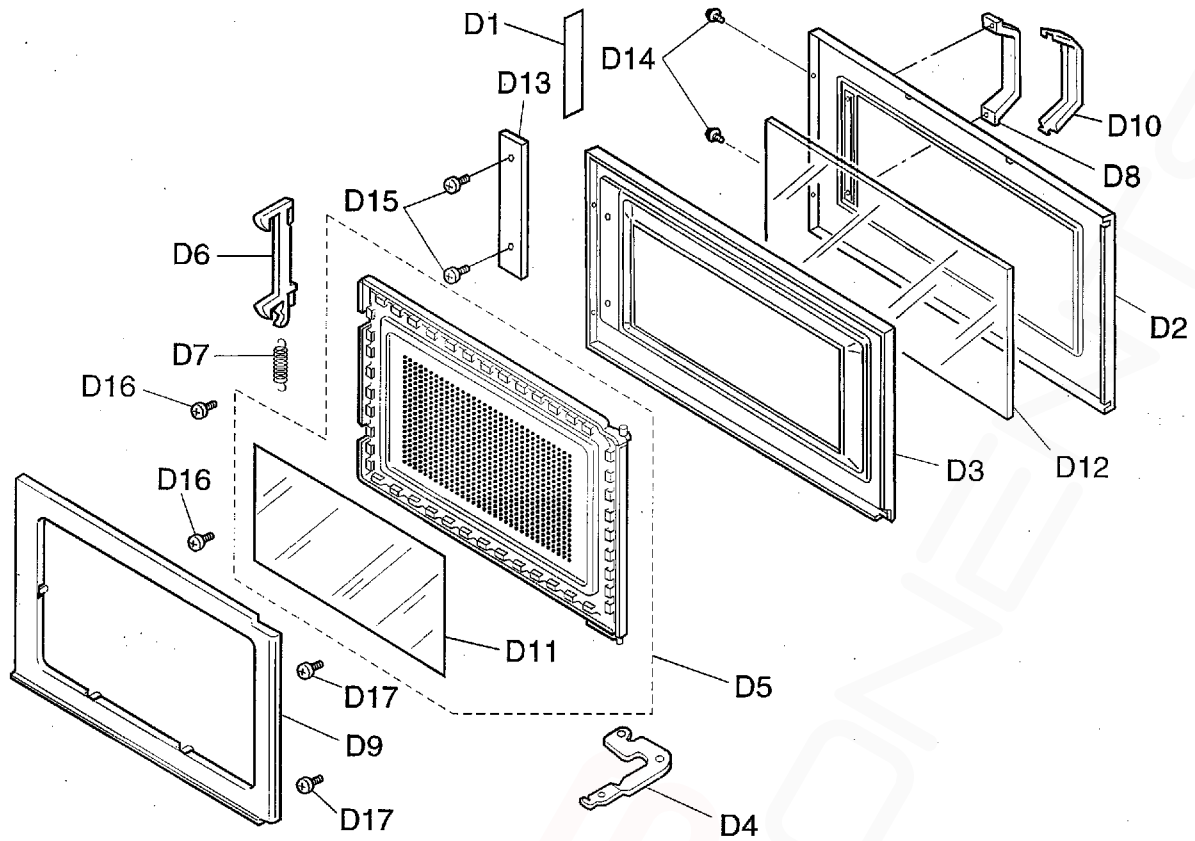
Components identified by  $\triangle$  mark have special characteristics important for safety.

When replacing any of these components, use only manufacturer's specified parts.

Ref. No.	Part No.	Part Name & Description	Pcs/ Set	Remarks
1	A00065460JP	CAUTION LABEL	1	
2	A010T3700BP	SHELF	1	
3	ANE0912000EB	CUSHION RUBBER B	1	
4	ANE0921000AH	CUSHION RUBBER C	1	
5	ANE0921000JK	CUSHION RUBBER C	1	
6	ANE000Z000AD	CUSHION RUBBER C	2	
7	ANE0962000AQ	CUSHION RUBBER D	1	
8	ANE0963000BD	CUSHION RUBBER D	1	
9	A10013700BP	BASE	1	
10	A1008-1180	RUBBER FOOT	4	
11	A10093700BP	CABINET BODY (U)	1	
12	A10403700BP	REINFORCE BRACKET	1	
13	A10493700BP	CUSHION RUBBER	1	
14	A11407000AP	STOPPER	1	
15	A12213700BP	BODY CUSHION RUBBER	2	
16	$\triangle$ A200A3700BP	OVEN	1	NOTE 1
17	A203P3700BP	ANTENNA	1	
18	$\triangle$ A30073700BP	LOWER HINGE	1	
19	$\triangle$ A3020-1480	DOOR HOOK A	1	
20	A3097-1480	SPRING	1	
21	A3136-1480	HOOK SPACER A	1	
22	A3137-1480	HOOK SPACER B	1	
23	A3138-1480	HOOK SPACER C	1	
24	A31863700HN	DOOR PANEL	1	
25	A400A3700BP	FAN MOTOR	1	(26W)
26	A4008-1480	FAN	1	
27	A40253700BP	AIR GUIDE A	1	
28	A41445540AP	ORIFICE	1	
29	A601L-1540	TEMP SENSOR	1	
30	A60304080BP	INCANDESCENT LAMP	1	20W/240V
31	A6037-3700	CAPACITOR BRACKET	1	
32	A606V3700BP	PROTECTOR DIODE	1	
33	ANE0912000QG	CUSHION RUBBER B	1	
34	$\triangle$ A6090-3700	H.V.CAPACITOR	1	(0.83MF,AC2100V)
35	$\triangle$ A6142-1450	MICROSWITCH	1	(V-16G-3C26) PRIMARY LATCH SWITCH
36	$\triangle$ A61425180AP	MICROSWITCH	1	(L-3C2-2) SECONDARY LATCH SWITCH
37	A61443660AP	ANTENNA MOTOR	1	(3W)
38	$\triangle$ A61455840GP	THERMAL CUTOUT	1	
39	$\triangle$ A61524650AP	SOCKET	1	
40	ANE6161-3X0	MICRO SWITCH	1	(V-16G-3C25) SHORT SWITCH
41	$\triangle$ A6202-3280	DIODE,SI	1	
42	A622A3700HN	H.V.TRANSFORMER	1	(1.7KVA)
43	$\triangle$ A62304210BP	FUSE	1	(10A)
44	$\triangle$ A65953700BP	FUSE B	1	(2.5A)
45	A692Y3700BP	NOISE FILTER (U)	1	
46	$\triangle$ A900C3700LN	AC CORD W/PLUG	1	(120V)
47	A90353700BP	CORD BRACKET	1	
48	XTC4+10BC	SCREW	1	(4X10) FOR CABINET BODY
49	XTWANE4+10RU	SCREW	4	(4X10) FOR MAGNETRON
50	XYCA4+BE12	SCREW	1	(4X12) FOR EARTH
51	XYF4+AF8	SCREW	2	(4X8) FOR UPPER HINGE
52	$\triangle$ 2M244-M6E6	MAGNETRON	1	
53	A00073700LN	NAME LABEL	1	

NOTE 1 : Please order name label together.

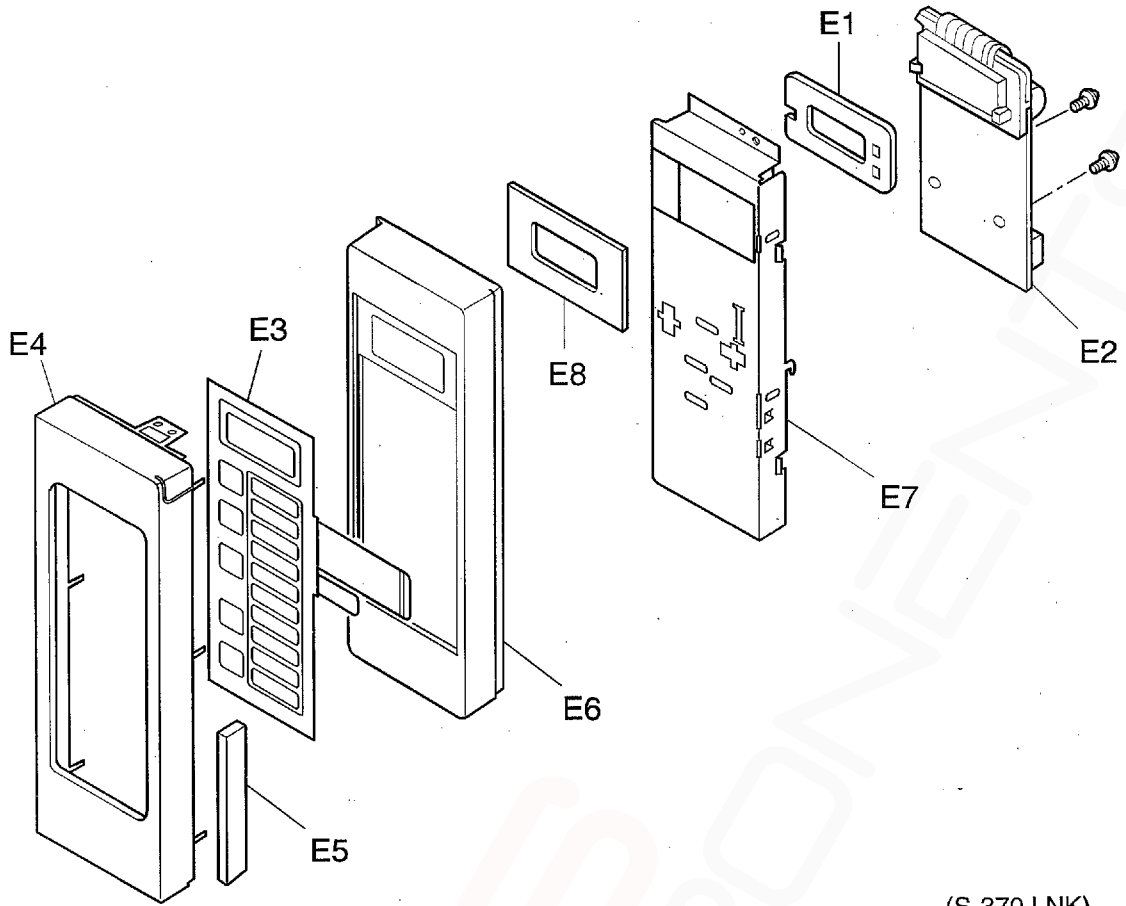
# DOOR ASSEMBLY



(S-370 LNK)

Ref. No.	Part No.	Part Name & Description	Pcs/ Set	Remarks
D1	ANE0245X00AP	DHHS LABEL	1	
D2	▲ A300A3700AP	DOOR B (U)	1	
D3	▲ A30013700AP	DOOR A (U)	1	
D4	▲ A30063700BP	UPPER HINGE	1	
D5	▲ A302K3700BP	DOOR E (U)	1	
D6	A3018-1480	DOOR KEY A	1	
D7	A30214000AP	DOOR KEY SPRING	1	
D8	A30703170GP	HANDLE PEICE A	1	
D9	▲ A30858960HN	DOOR C	1	
D10	ANE31348U0AP	HANDLE PEICE B	1	
D11	▲ A31453700BP	DOOR SCREEN A	1	
D12	A31463700AP	DOOR SCREEN B	1	
D13	A32863700AP	HANDLE SPACER	1	
D14	XTBANE3+8BC	SCREW	2	(3X8)
D15	XYEA4+C16TS	SCREW	2	(4X16)
D16	XTNANE+8BN	SCREW	2	(4X8)
D17	XTN4+8B	SCREW	2	(4X8)

# ESCUTCHEON BASE ASSEMBLY



(S-370 LNK)

Ref. No.	Part No.	Part Name & Description	Pcs/ Set	Remarks
E1	A83423700BP	CUSHION RUBBER B	1	
E2	A603L3700VP	D.P.CIRCUIT (U)	1	RTL (W/COMPONENT)
E3	A64793700QP	MEMBRANE SWITCH	1	
E4	A800N3700AP	ESCUTCHEON A	1	
E5	A80253700BP	ESCUTCHEON CUSHION	1	
E6	A80343700AP	ESCUTCHEON BASE	1	
E7	A81273700AP	BACK PANEL	1	
E8	A82843700BP	SPACER CUSHION	1	