

**Warning:** Installation should only be carried out by a qualified service technician as incorrect fitting may create an electrical hazard. Information supplied herein is for the aid of technicians only.

## ET54B002/G5 Service Kit.

Instructions for conversion of  
Electrolux Item 0541001913  
Specifications

- 6mm Shaft
- Max cont. Load 16Amp 240V
- Bush mount.
- Oven, Grill, Pilot Support
- Cooling & Oven Fan Support
- Rated to 125 Deg C Ambient

## Contents Of Kit

ET54 Thermostat  
2x 90Deg Flag Terminal  
2 x External Bridge (1 fitted)

## Function Changes

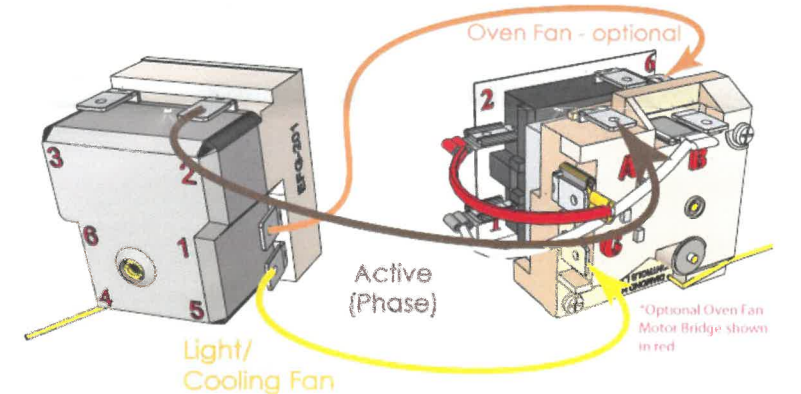
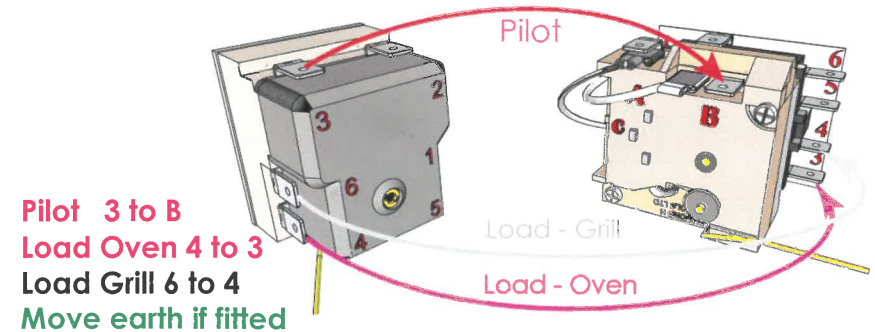
Please Note & Inform Customer-

This service kit has been designed to replace a thermostat that is no longer available from the original component manufacturer. Some minor changes in operation have resulted-

- Indexing (the click when rotating)
- feedback is much softer
- Rotation Stops at Grill Position

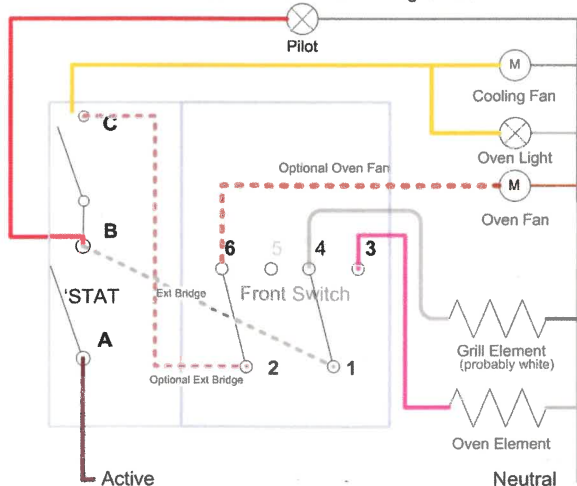
**Please inform customers of function changes.**

## Visual Guide \*



## Wiring Guide\*

541-1-913 rev 2 Thermostat Wiring Guide



## Quick Conversion Chart

| 0541001913 |                     | ET54B002/G5 |                      |
|------------|---------------------|-------------|----------------------|
| Terminal   | Function            | Terminal    | Notes                |
| 3          | Pilot               | B           |                      |
| 4          | Load Oven           | 3           |                      |
| 6          | Load Grill          | 4           |                      |
| 1          | Oven Fan-Optional   | 6           | Fit C-2 Bridge       |
| 5          | Light / Cooling Fan | C           |                      |
| 2          | Active (Phase)      | A           | Check Safe Clearance |

(Optional) Oven Fan 1 to 6 \*  
Phase (Active) 2 to A  
Cooling Fan/Light 5 to C

**\*Shown with C-2 Bridge fitted. Used with optional oven fan circuit.**

**\* Safety Note.** Colours have been chosen to indicate the most commonly used cabling, **however** due to variations between models & subsequent repairs may cause colours used herein to not reflect those used in the appliance and therefore should be considered used for visual clarity only.

**IMPORTANT!** Although all care is taken to ensure the accuracy of the information contained above, no responsibility is taken or implied as control design, model to model changes & post sale services may have altered how an appliance is wired & therefore cannot be accounted for in the Conversion Guide. Conversion guides are for reference purposes only & care should be taken to ensure that wiring is correct & safe for each application.