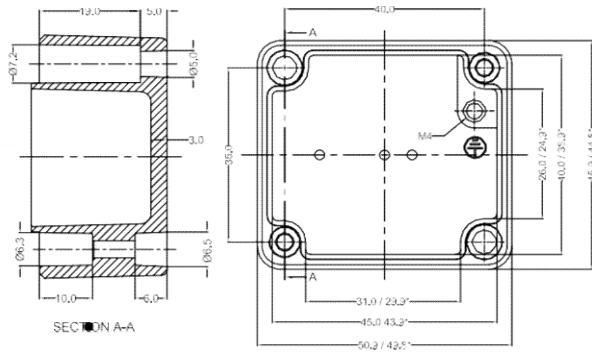




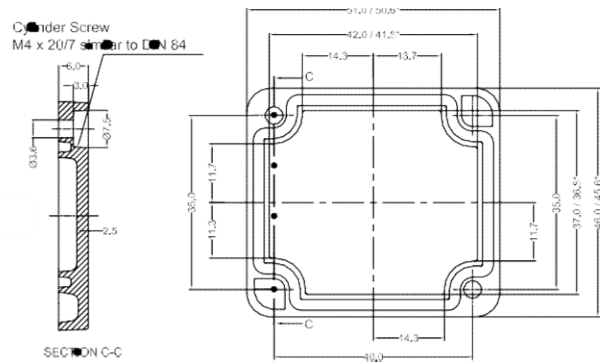
RJ01



BASE



LID



PRODUCT SPECIFICATION

Dim (LxWxH):	50 X 45 X 30
Model No:	RJ01
Order No :	RJ01
Weight (gm):	90

TECHNICAL SPECIFICATION

Material:	AISI 12, as per DIN EN 1706
Colour:	RAL 7001, 7031, 7032, 7035, 7038, Black RAL 9004
Protection:	IP66 as per IEC 60529
Gasket:	Neoprene Gasket
Lid Screw:	Stainless Steel 1.4301 (A2), captive - M4
Tightening Torque:	2 to 3 Nm
Impact Strength:	Impact Energy 10 Joules - IK 09 EN 60068-2-75
Service Temperature	-60°C to +140°C
Surface:	Painted / Non - Painted
Components:	Fastening threads M4 in the enclosure bottom
Process Control System	ISO 9001 - 2015, IEC 80079 - 34 - 2011

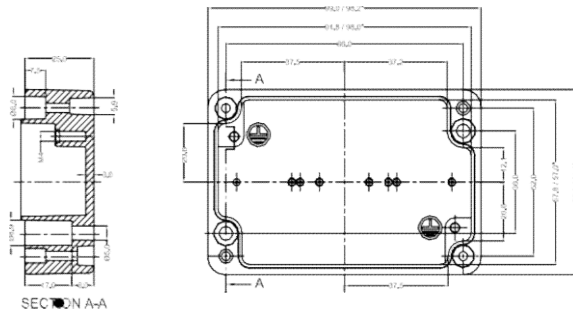
AVAILABLE ON DEMAND

DIN Rail	No
Mounting Plate	No
External Mounting Brackets	No
Gasket	Silicon / Viton / EMC
Protection	IP67 / IP68
Surface	Corrosion Protection / Special Colours
Hinges:	No

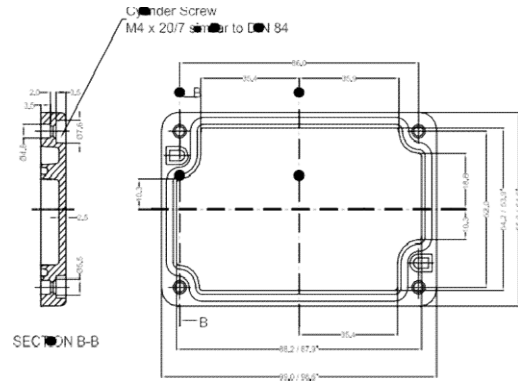
RJ02



BASE



LID



PRODUCT SPECIFICATION

Dim (LxWxH):	98 X 64 X 34
Model No:	RJ02
Order No :	RJ02
Weight (gm):	224

TECHNICAL SPECIFICATION

Material	AlSi 12, as per DIN EN 1706
Colour	RAL 7001, 7031, 7032, 7035, 7038, Black RAL 9004
Protection	IP66 as per IEC 60529
Gasket	Neoprene Gasket
Lid Screw	Stainless Steel 1.4301 (A2), captive - M4
Tightening Torque	2 to 3 Nm
Impact Strength	Impact Energy 10 Joules - IK 09 EN 60068-2-75
Service Temperature	-60°C to +140°C
Surface	Painted / Non - Painted
Components	Fastening threads M4 in the enclosure bottom
Process Control System	ISO 9001 - 2015, IEC 80079 - 34 - 2011

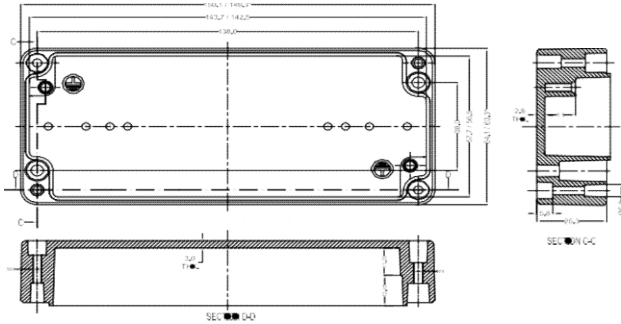
AVAILABLE ON DEMAND

DIN Rail	No
Mounting Plate	No
External Mounting Brackets	No
Gasket	Silicon / Viton / EMC
Protection	IP67 / IP68
Surface	Corrosion Protection / Special Colours
Hinges:	No

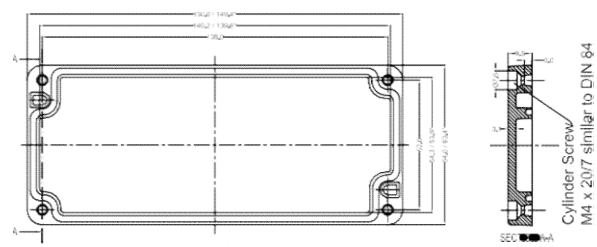
RJ03



BASE



LID



PRODUCT SPECIFICATION

Dim (LxWxH):	150 X 64 X 34
Model No:	RJ03
Order No:	RJ03
Weight (gm):	310

TECHNICAL SPECIFICATION

Material	AISI 12, as per DIN EN 1706
Colour	RAL 7001, 7031, 7032, 7035, 7038, Black RAL 9004
Protection	IP66 as per IEC 60529
Gasket	Neoprene Gasket
Lid Screw	Stainless Steel 1.4301 (A2), captive - M4
Tightening Torque:	2 to 3 Nm
Impact Strength	Impact Energy 10 Joules - IK 09 EN 60068-2-75
Service Temperature	-60°C to +140°C
Surface	Painted / Non - Painted
Components	Fastening threads M4 in the enclosure bottom
Process Control System	ISO 9001 - 2015, IEC 80079 - 34 - 2011

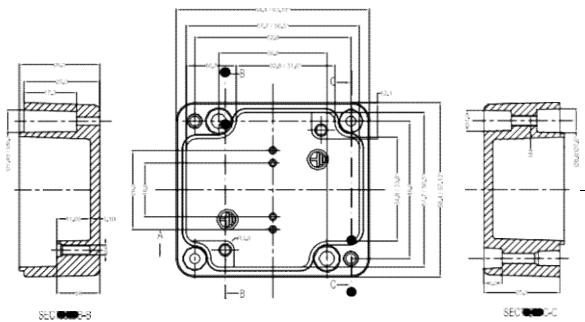
AVAILABLE ON DEMAND

DIN Rail	No
Mounting Plate	No
External Mounting Brackets	No
Gasket	Silicon / Viton / EMC
Protection	IP67 / IP68
Surface	Corrosion Protection / Special Colours
Hinges	No

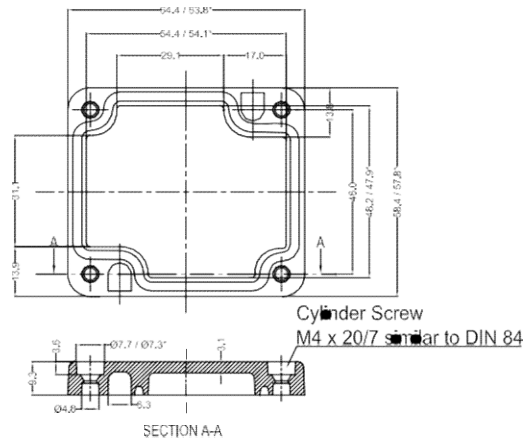
RJ04



BASE



LID



PRODUCT SPECIFICATION

Dim (LxWxH):	58 X 64 X 34
Model No:	RJ04
Order No :	RJ04

TECHNICAL SPECIFICATION

Material	AlSi 12, as per DIN EN 1706
Colour	RAL 7001, 7031, 7032, 7035, 7038, Black RAL 9004
Protection	IP66 as per IEC 60529
Gasket	Neoprene Gasket
Lid Screw	Stainless Steel 1.4301 (A2), captive - M4
Tightening Torque	2 to 3 Nm
Impact Strength	Impact Energy 10 Joules - IK 09 EN 60068-2-75
Service Temperature	-60°C to +140°C
Surface	Painted / Non - Painted
Components	Fastening threads M4 in the enclosure bottom
Process Control System	ISO 9001 - 2015, IEC 80079 - 34 - 2011

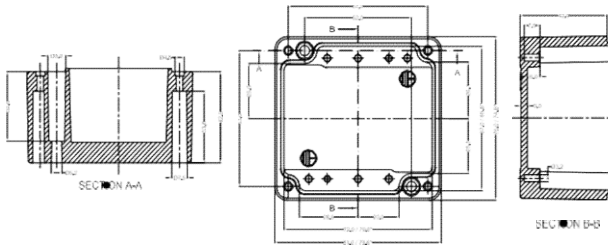
AVAILABLE ON DEMAND

DIN Rail	No
Mounting Plate	No
External Mounting Brackets	No
Gasket	Silicon / Viton / EMC
Protection	IP67 / IP68
Surface	Corrosion Protection / Special Colours
Hinges	No

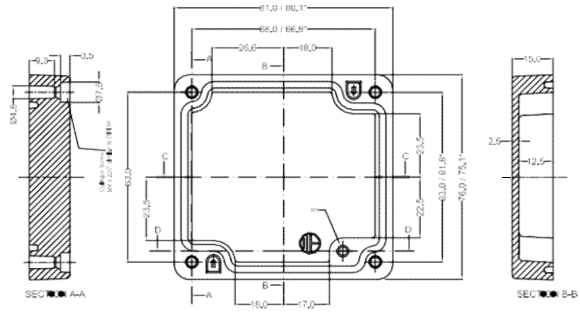
RJ05



BASE



LID



PRODUCT SPECIFICATION

Dim (LxWxH):	75 X 80 X 57
Model No:	RJ05
Order No :	RJ05
Weight (gm):	320

TECHNICAL SPECIFICATION

Material	AISI 12, as per DIN EN 1706
Colour	RAL 7001, 7031, 7032, 7035, 7038, Black RAL 9004
Protection	IP66 as per IEC 60529
Gasket	Neoprene Gasket
Lid Screw	Stainless Steel 1.4301 (A2), captive - M4
Tightening Torque	2 to 3 Nm
Impact Strength:	Impact Energy 10 Joules - IK 09 EN 60068-2-75
Service Temperature	-60°C to +140°C
Surface	Painted / Non - Painted
Components	Fastening threads M4 in the enclosure bottom
Process Control System	ISO 9001 - 2015, IEC 80079 - 34 - 2011

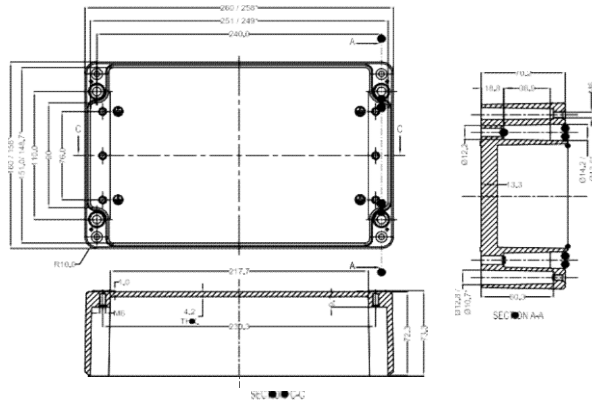
AVAILABLE ON DEMAND

DIN Rail	TS 15
Mounting Plate	Yes
External Mounting Brackets	No
Gasket	Silicon / Viton / EMC
Protection	IP67 / IP68
Surface	Corrosion Protection / Special Colours
Hinges	No

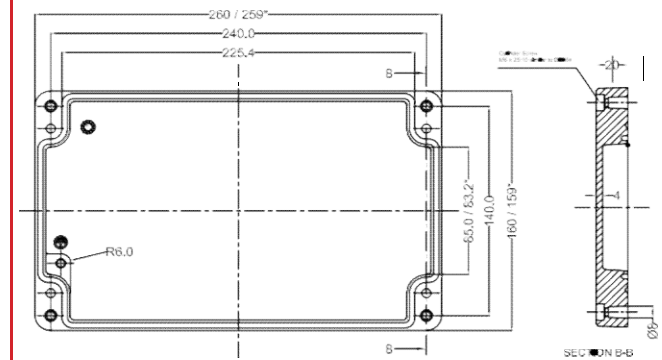
RJ13



BASE



LID



PRODUCT SPECIFICATION

Dim (LxWxH):	260 X 160 X 90
Model No:	RJ13
Order No :	RJ13
Weight (gm):	2100

TECHNICAL SPECIFICATION

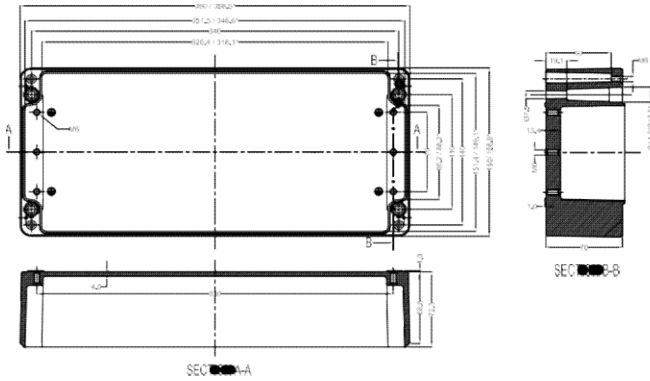
Material:	AlSi 12, as per DIN EN 1706
Colour:	RAL 7001, 7031, 7032, 7035, 7038, Black RAL 9004
Protection:	IP66 as per IEC 60529
Gasket:	Neoprene Gasket
Lid Screw:	Stainless Steel 1.4301 (A2), captive - M6
Tightening Torque:	3 to 4 Nm
Impact Strength:	Impact Energy 10 Joules - IK 09 EN 60068-2-75
Service Temperature	-60°C to +140°C
Surface:	Painted / Non - Painted
Components:	Fastening threads M6 in the enclosure bottom
Process Control System	ISO 9001 - 2015, IEC 80079 - 34 - 2011

AVAILABLE ON DEMAND

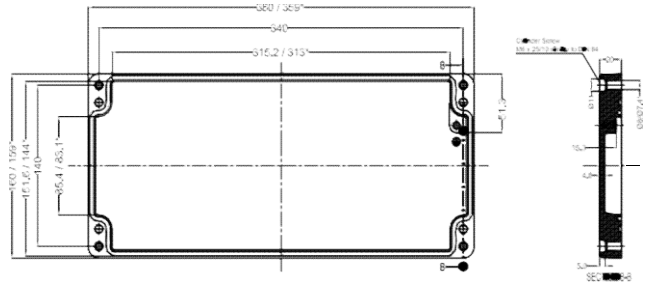
DIN Rail	Yes
Mounting Plate	Yes
External Mounting Brackets	Stainless Steel 1.4301 (A2)
Gasket	Silicon / Viton / EMC
Protection	IP67 / IP68
Surface	Corrosion Protection / Special Colours
Hinges	External / Internal



BASE



LID



PRODUCT SPECIFICATION

Dim (LxWxH):	360 X 160 X 90
Model No:	RJ14
Order No :	RJ14
Weight (gm):	3007

TECHNICAL SPECIFICATION

Material	AlSi 12, as per DIN EN 1706
Colour	RAL 7001, 7031, 7032, 7035, 7038, Black RAL 9004
Protection	IP66 as per IEC 60529
Gasket	Neoprene Gasket
Lid Screw	Stainless Steel 1.4301 (A2), captive - M6
Tightening Torque	3 to 4 Nm
Impact Strength	Impact Energy 10 Joules - IK 09 EN 60068-2-75
Service Temperature	-60°C to +140°C
Surface	Painted / Non - Painted
Components	Fastening threads M6 in the enclosure bottom
Process Control System	ISO 9001 - 2015, IEC 80079 - 34 - 2011

AVAILABLE ON DEMAND

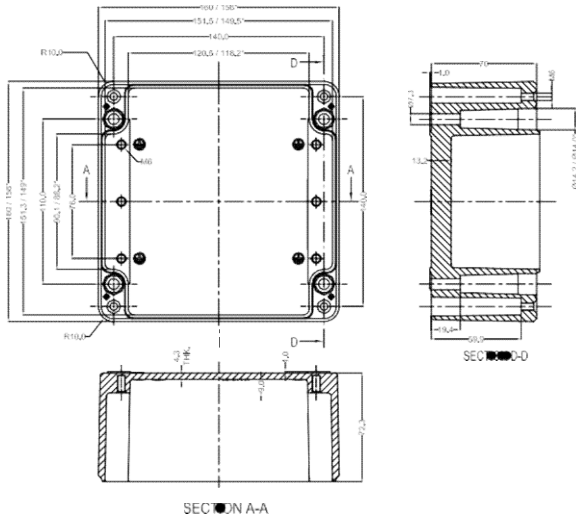
DIN Rail	Yes
Mounting Plate	Yes
External Mounting Brackets	Stainless Steel 1.4301 (A2)
Gasket	Silicon / Viton / EMC
Protection	IP67 / IP68
Surface	Corrosion Protection / Special Colours
Hinges	External



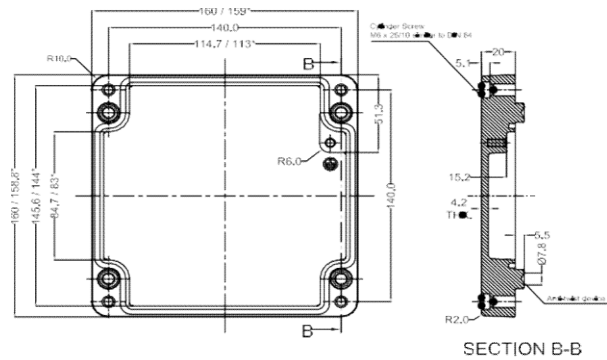
RJ15



BASE



LID



PRODUCT SPECIFICATION

Dim (LxWxH):	160 X 160 X 91
Model No:	RJ15
Order No :	RJ15
Weight (gm):	1538

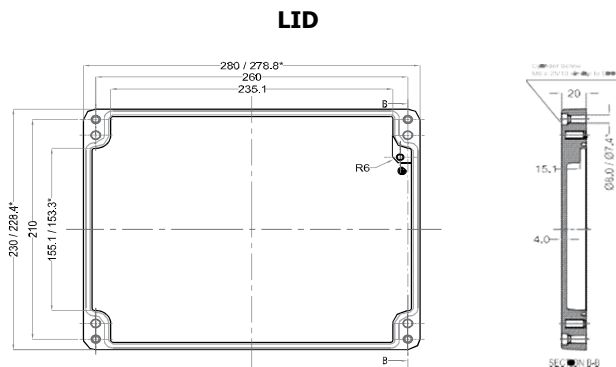
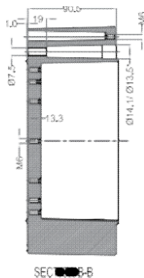
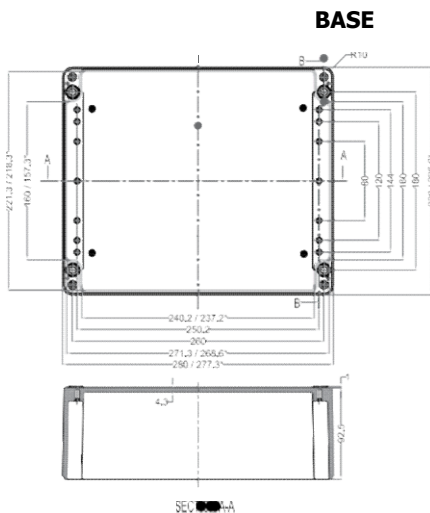
TECHNICAL SPECIFICATION

Material	AlSi 12, as per DIN EN 1706
Colour	RAL 7001, 7031, 7032, 7035, 7038, Black RAL 9004
Protection	IP66 as per IEC 60529
Gasket	Neoprene Gasket
Lid Screw	Stainless Steel 1.4301 (A2), captive - M6
Tightening Torque	3 to 4 Nm
Impact Strength:	Impact Energy 10 Joules - IK 09 EN 60068-2-75
Service Temperature	-60°C to +140°C
Surface	Painted / Non - Painted
Components	Fastening threads M6 in the enclosure bottom
Process Control System	ISO 9001 - 2015, IEC 80079 - 34 - 2011

AVAILABLE ON DEMAND

DIN Rail	Yes
Mounting Plate	Yes
External Mounting Brackets	Stainless Steel 1.4301 (A2)
Gasket	Silicon / Viton / EMC
Protection	IP67 / IP68
Surface	Corrosion Protection / Special Colours
Hinges	External / Internal

RJ17



PRODUCT SPECIFICATION	
Dim (LxWxH):	280 X 230 X 110
Model No:	RJ17
Order No :	RJ17
Weight (gm):	3115

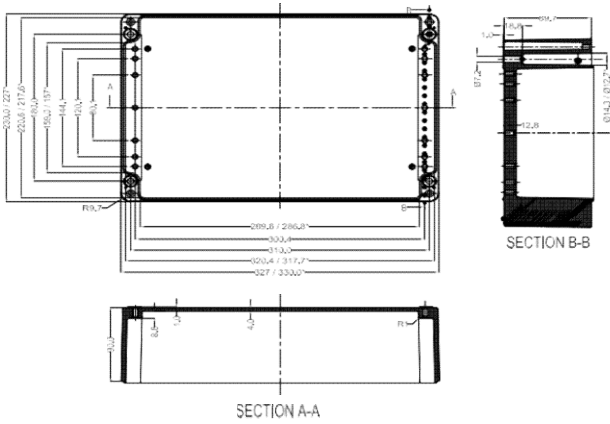
TECHNICAL SPECIFICATION	
Material	AlSi 12, as per DIN EN 1706
Colour	RAL 7001, 7031, 7032, 7035, 7038, Black RAL 9004
Protection	IP66 as per IEC 60529
Gasket	Neoprene Gasket
Lid Screw	Stainless Steel 1.4301 (A2), captive - M6
Tightening Torque	3 to 4 Nm
Impact Strength:	Impact Energy 10 Joules - IK 09 EN 60068-2-75
Service Temperature	-60°C to +140°C
Surface	Painted / Non - Painted
Components	Fastening threads M6 in the enclosure bottom
Process Control System	ISO 9001 - 2015, IEC 80079 - 34 - 2011

AVAILABLE ON DEMAND	
DIN Rail	Yes
Mounting Plate	Yes
External Mounting Brackets	Stainless Steel 1.4301 (A2)
Gasket	Silicon / Viton / EMC
Protection	IP67 / IP68
Surface	Corrosion Protection / Special Colours
Hinges	External / Internal

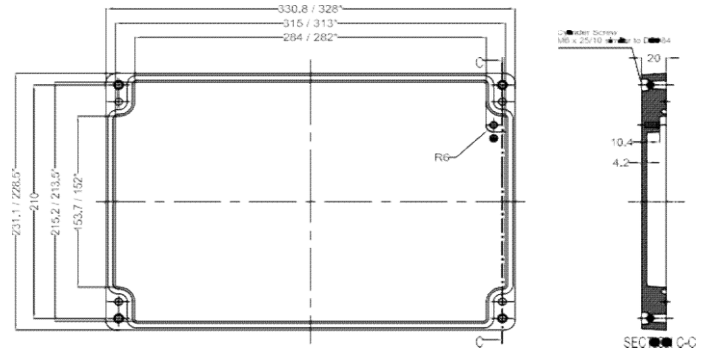
RJ18



BASE



LID



PRODUCT SPECIFICATION

Dim (LxWxH):	330 X 230 X 111
Model No:	RJ18
Order No :	RJ18
Weight (gm):	4001

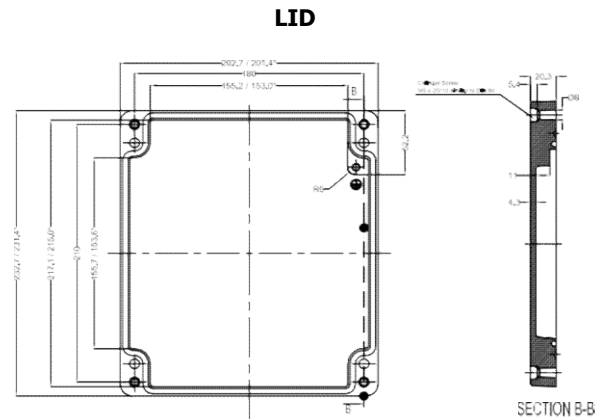
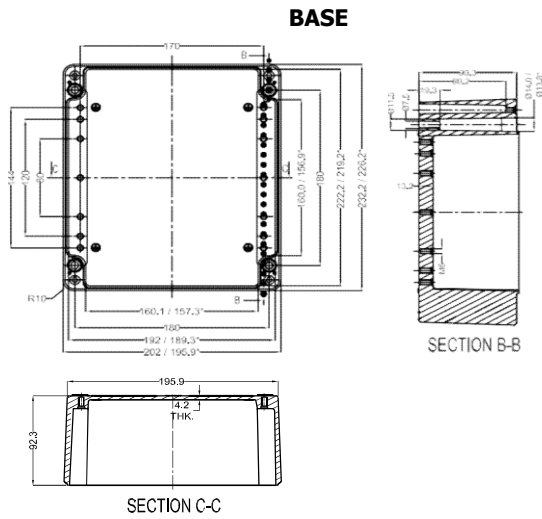
TECHNICAL SPECIFICATION

Material:	AlSi 12, as per DIN EN 1706
Colour:	RAL 7001, 7031, 7032, 7035, 7038, Black RAL 9004
Protection:	IP66 as per IEC 60529
Gasket:	Neoprene Gasket
Lid Screw:	Stainless Steel 1.4301 (A2), captive - M6
Tightening Torque:	3 to 4 Nm
Impact Strength:	Impact Energy 10 Joules - IK 09 EN 60068-2-75
Service Temperature(Degree Celsius)	-60°C to +140°C
Surface:	Painted / Non - Painted
Components:	Fastening threads M6 in the enclosure bottom
Process Control System	ISO 9001 - 2015, IEC 80079 - 34 - 2011

AVAILABLE ON DEMAND

DIN Rail	Yes
Mounting Plate	Yes
External Mounting Brackets	Stainless Steel 1.4301 (A2)
Gasket	Silicon / Viton / EMC
Protection	IP67 / IP68
Surface	Corrosion Protection / Special Colours
Hinges	External / Internal

RJ19



PRODUCT SPECIFICATION	
Dim (LxWxH):	200 X 230 X 110
Model No:	RJ19
Order No :	RJ19
Weight (gm):	2578

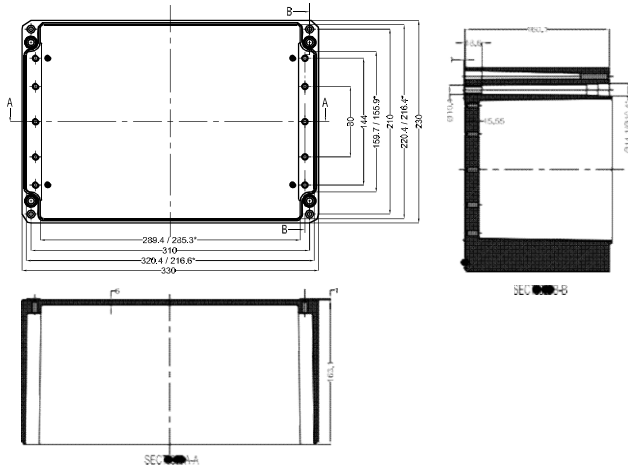
TECHNICAL SPECIFICATION	
Material	AlSi 12, as per DIN EN 1706
Colour	RAL 7001, 7031, 7032, 7035, 7038, Black RAL 9004
Protection	IP66 as per IEC 60529
Gasket	Neoprene Gasket
Lid Screw	Stainless Steel 1.4301 (A2), captive - M6
Tightening Torque	3 to 4 Nm
Impact Strength	Impact Energy 10 Joules - IK 09 EN 60068-2-75
Service Temperature	-60°C to +140°C
Surface	Painted / Non - Painted
Components	Fastening threads M6 in the enclosure bottom
Process Control System	ISO 9001 - 2015, IEC 80079 - 34 - 2011

AVAILABLE ON DEMAND	
DIN Rail	Yes
Mounting Plate	Yes
External Mounting Brackets	Stainless Steel 1.4301 (A2)
Gasket	Silicon / Viton / EMC
Protection	IP67 / IP68
Surface	Corrosion Protection / Special Colours
Hinges	External / Internal

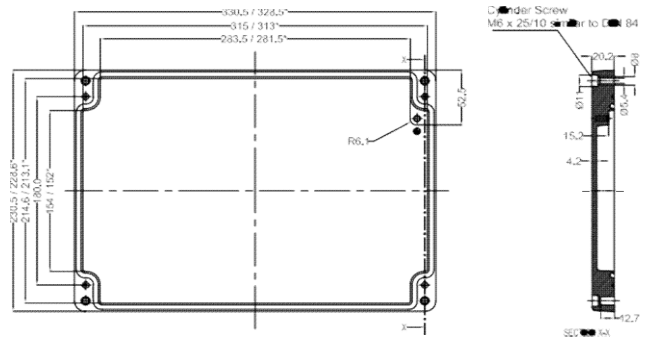
RJ20



BASE



LID



PRODUCT SPECIFICATION

Dim (LxWxH):	330 X 230 X 180
Model No:	RJ20
Order No :	RJ20
Weight (gm):	5723

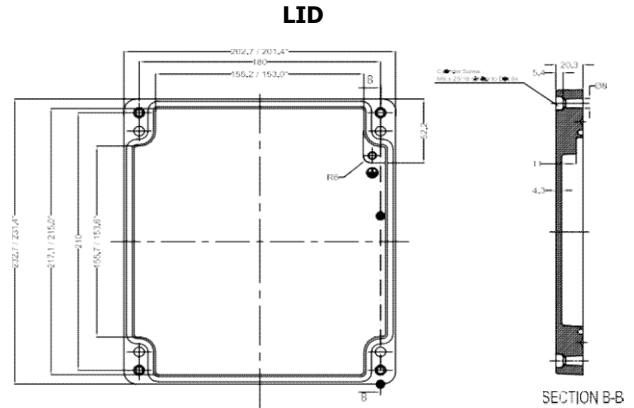
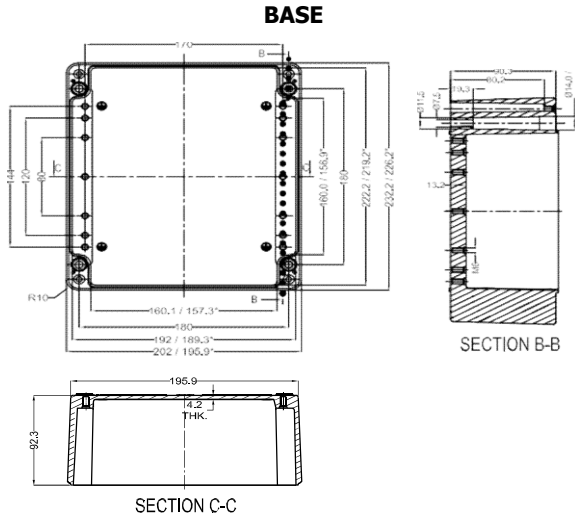
TECHNICAL SPECIFICATION

Material	AISI 12, as per DIN EN 1706
Colour	RAL 7001, 7031, 7032, 7035, 7038, Black RAL 9004
Protection	IP66 as per IEC 60529
Gasket	Neoprene Gasket
Lid Screw	Stainless Steel 1.4301 (A2), captive - M6
Tightening Torque	3 to 4 Nm
Impact Strength	Impact Energy 10 Joules - IK 09 EN 60068-2-75
Service Temperature	-40°C to +100°C
Surface	Painted / Non - Painted
Components	Fastening threads M6 in the enclosure bottom
Process Control System	ISO 9001 - 2015, IEC 80079 - 34 - 2011

AVAILABLE ON DEMAND

DIN Rail	Yes
Mounting Plate	Yes
External Mounting Brackets	Stainless Steel 1.4301 (A2)
Gasket	Silicon / Viton / EMC
Protection	IP67 / IP68
Surface	Corrosion Protection / Special Colours
Hinges	External / Internal

RJ21



PRODUCT SPECIFICATION	
Dim (LxWxH):	220 X 120 X 81
Model No:	RJ21
Order No :	RJ21
Weight (gm):	1437

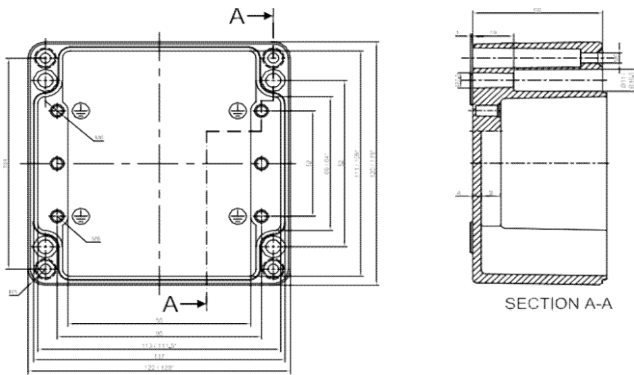
TECHNICAL SPECIFICATION	
Material	AISI 12, as per DIN EN 1706
Colour	RAL 7001, 7031, 7032, 7035, 7038, Black RAL 9004
Protection	IP66 as per IEC 60529
Gasket	Neoprene Gasket
Lid Screw	Stainless Steel 1.4301 (A2), captive - M6
Tightening Torque	3 to 4 Nm
Impact Strength	Impact Energy 10 Joules - IK 09 EN 60068-2-75
Service Temperature	-60°C to +140°C
Surface	Painted / Non - Painted
Components	Fastening threads M6 in the enclosure bottom
Process Control System	ISO 9001 - 2015, IEC 80079 - 34 - 2011

AVAILABLE ON DEMAND	
DIN Rail	Yes
Mounting Plate	Yes
External Mounting Brackets	Stainless Steel 1.4301 (A2)
Gasket	Silicon / Viton / EMC
Protection	IP67 / IP68
Surface	Corrosion Protection / Special Colours
Hinges	External

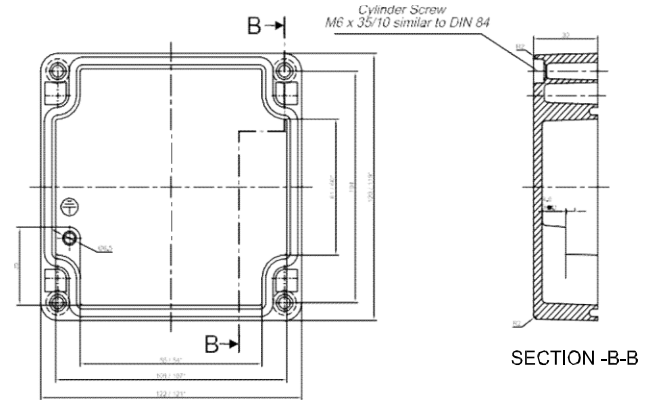
RJ22



BASE



LID



PRODUCT SPECIFICATION

Dim (LxWxH):	122 X 120 X 91
Model No:	RJ22
Order No :	RJ22
Weight (gm):	1100

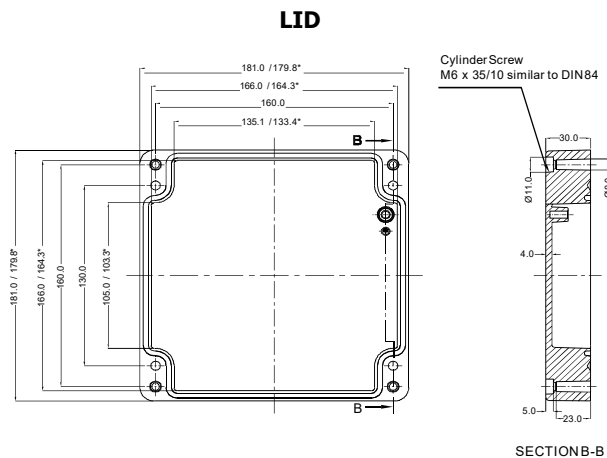
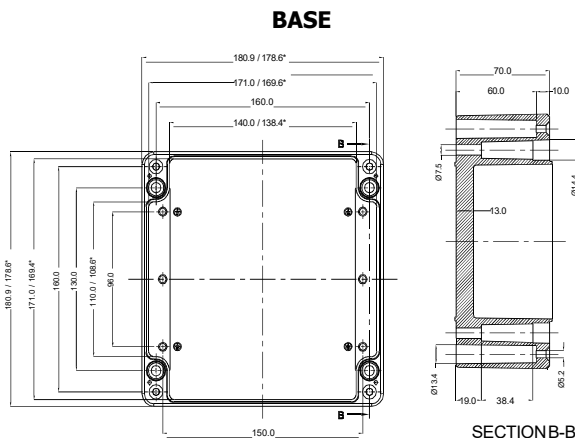
TECHNICAL SPECIFICATION

Material:	AISI 12, as per DIN EN 1706
Colour:	RAL 7001, 7031, 7032, 7035, 7038, Black RAL 9004
Protection:	IP66 as per IEC 60529
Gasket:	Neoprene Gasket
Lid Screw:	Stainless Steel 1.4301 (A2), captive - M6
Tightening Torque	3 to 4 Nm
Impact Strength:	Impact Energy 10 Joules - IK 09 EN 60068-2-75
Service Temperature(Degree Celsius)	-60°C to +140°C
Surface:	Painted / Non - Painted
Components:	Fastening threads M6 in the enclosure bottom
Process Control System	ISO 9001 - 2015, IEC 80079 - 34 - 2011

AVAILABLE ON DEMAND

DIN Rail	Yes
Mounting Plate	Yes
External Mounting Brackets	Stainless Steel 1.4301 (A2)
Gasket	Silicon / Viton / EMC
Protection	IP67 / IP68
Surface	Corrosion Protection / Special Colours
Hinges	External

RJ28



PRODUCT SPECIFICATION	
Dim (LxWxH):	180 X 180 X 100
Model No:	RJ28
Order No :	RJ28
Weight (gm):	2250

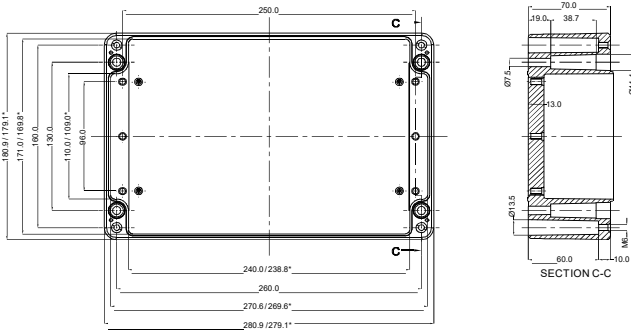
TECHNICAL SPECIFICATION	
Material	AISI 12, as per DIN EN 1706
Colour	RAL 7001, 7031, 7032, 7035, 7038, Black RAL 9004
Protection	IP66 as per IEC 60529
Gasket	Neoprene Gasket
Lid Screw	Stainless Steel 1.4301 (A2), captive - M6
Tightening Torque	3 to 4 Nm
Impact Strength	Impact Energy 10 Joules - IK 09 EN 60068-2-75
Service Temperature	-60°C to +140°C
Surface	Painted / Non - Painted
Components	Fastening threads M6 in the enclosure bottom
Process Control System	ISO 9001 - 2015, IEC 80079 - 34 - 2011

AVAILABLE ON DEMAND	
DIN Rail	Yes
Mounting Plate	Yes
External Mounting Brackets	Stainless Steel 1.4301 (A2)
Gasket	Silicon / Viton / EMC
Protection	IP67 / IP68
Surface	Corrosion Protection / Special Colours
Hinges	External / Internal

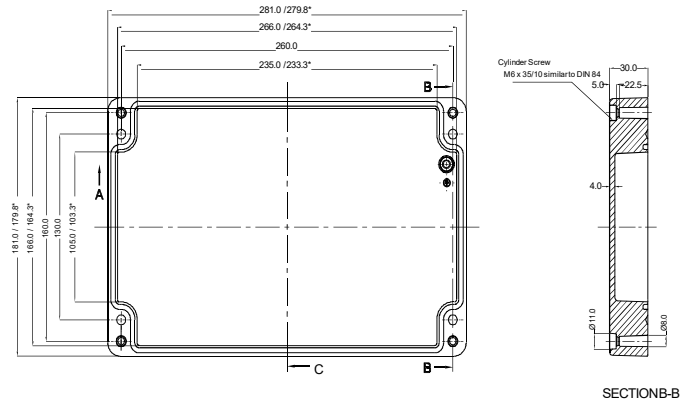
RJ29



BASE



LID



PRODUCT SPECIFICATION

Dim (LxWxH):	280 X 180 X 100
Model No:	RJ29
Order No :	RJ29
Weight (gm):	2910

TECHNICAL SPECIFICATION

Material	AlSi 12, as per DIN EN 1706
Colour	RAL 7001, 7031, 7032, 7035, 7038, Black RAL 9004
Protection	IP66 as per IEC 60529
Gasket	Neoprene Gasket
Lid Screw	Stainless Steel 1.4301 (A2), captive - M6
Tightening Torque	3 to 4 Nm
Impact Strength	Impact Energy 10 Joules - IK 09 EN 60068-2-75
Service Temperature	-60°C to +140°C
Surface	Painted / Non - Painted
Components	Fastening threads M6 in the enclosure bottom
Process Control System	ISO 9001 - 2015, IEC 80079 - 34 - 2011

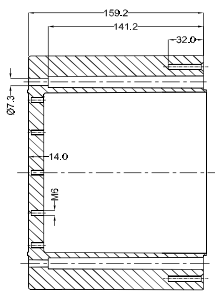
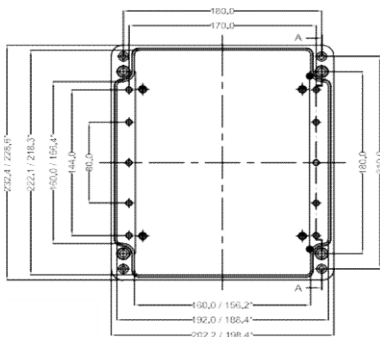
AVAILABLE ON DEMAND

DIN Rail	Yes
Mounting Plate	Yes
External Mounting Brackets	Stainless Steel 1.4301 (A2)
Gasket	Silicon / Viton / EMC
Protection	IP67 / IP68
Surface	Corrosion Protection / Special Colours
Hinges	External / Internal

RJ30

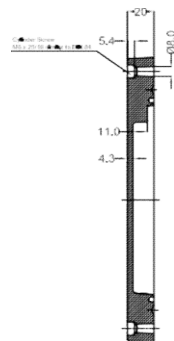
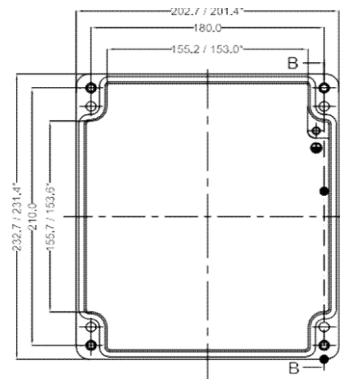


BASE



SECTION A-A

LID



SECTION B-B

PRODUCT SPECIFICATION

Dim (LxWxH):	230 X 200 X 180
Model No:	RJ30
Order No :	RJ30
Weight (gm):	4096

TECHNICAL SPECIFICATION

Material	AlSi 12, as per DIN EN 1706
Colour	RAL 7001, 7031, 7032, 7035, 7038, Black RAL 9004
Protection	IP66 as per IEC 60529
Gasket	Neoprene Gasket
Lid Screw	Stainless Steel 1.4301 (A2), captive - M6
Tightening Torque	3 to 4 Nm
Impact Strength	Impact Energy 10 Joules - IK 09 EN 60068-2-75
Service Temperature	-60°C to +140°C
Surface	Painted / Non - Painted
Components	Fastening threads M6 in the enclosure bottom
Process Control System	ISO 9001 - 2015, IEC 80079 - 34 - 2011

AVAILABLE ON DEMAND

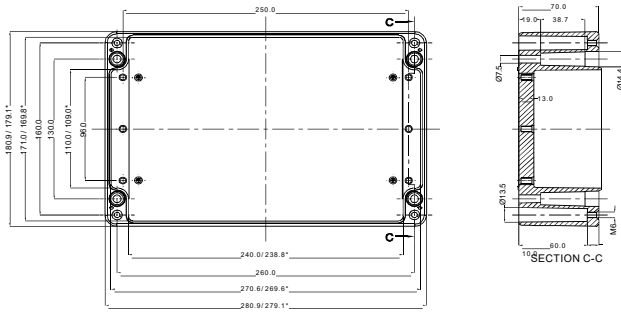
DIN Rail	Yes
Mounting Plate	Yes
External Mounting Brackets	Stainless Steel 1.4301 (A2)
Gasket	Silicon / Viton / EMC
Protection	IP67 / IP68
Surface	Corrosion Protection / Special Colours
Hinges	External / Internal



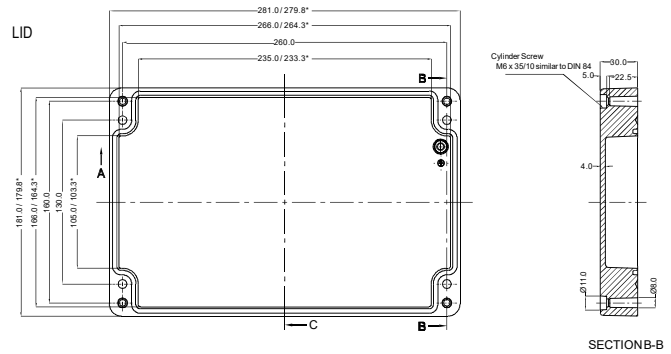
RJ31



BASE



LID

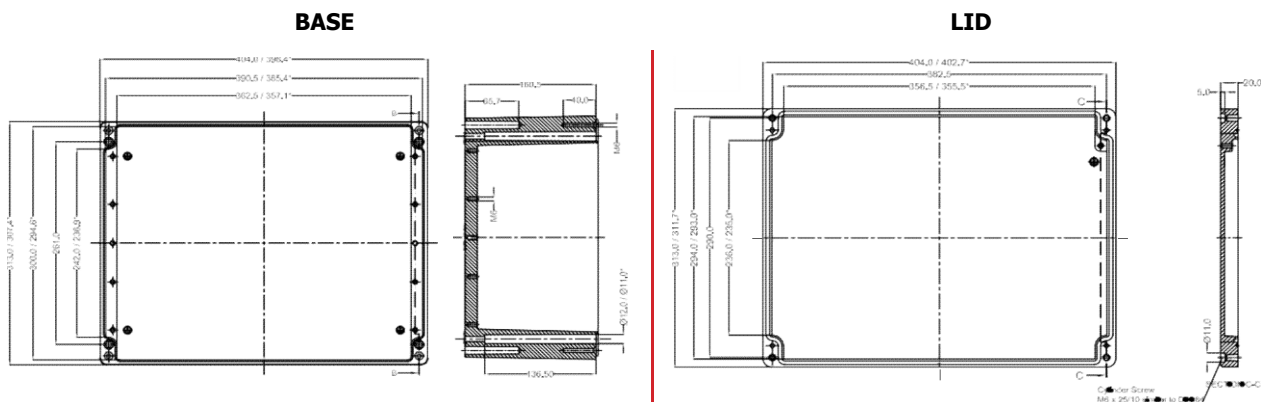


PRODUCT SPECIFICATION	
Dim (LxWxH):	400 X 310 X 110
Model No:	RJ31
Order No :	RJ31
Weight (gm):	6500

TECHNICAL SPECIFICATION	
Material	AISI 12, as per DIN EN 1706
Colour	RAL 7001, 7031, 7032, 7035, 7038, Black RAL 9004
Protection	IP66 as per IEC 60529
Gasket	Neoprene Gasket
Lid Screw	Stainless Steel 1.4301 (A2), captive - M6
Tightening Torque	3 to 4 Nm
Impact Strength	Impact Energy 10 Joules - IK 09 EN 60068-2-75
Service Temperature	-60°C to +140°C
Surface	Painted / Non – Painted
Components	Fastening threads M6 in the enclosure bottom
Process Control System	ISO 9001 : 2015, IEC 80079 - 34 : 2018

AVAILABLE ON DEMAND	
DIN Rail	Yes
Mounting Plate	Yes
External Mounting Brackets	Stainless Steel 1.4301 (A2)
Gasket	Silicon / Viton / EMC
Protection	No
Surface	Corrosion Protection / Special Colours
Hinges	External / Internal

RJ32



PRODUCT SPECIFICATION	
Dim (LxWxH):	400 X 310 X 180
Model No:	RJ32
Order No :	RJ32
Weight (gm):	9700

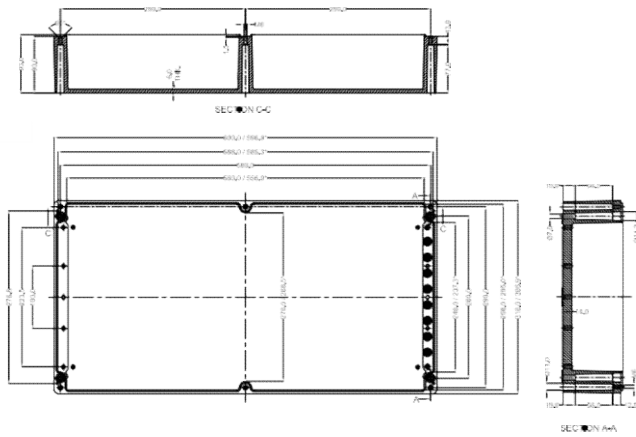
TECHNICAL SPECIFICATION	
Material	AlSi 12, as per DIN EN 1706
Colour	RAL 7001, 7031, 7032, 7035, 7038, Black RAL 9004
Protection	IP66 as per IEC 60529
Gasket	Neoprene Gasket
Lid Screw	Stainless Steel 1.4301 (A2), captive - M6
Tightening Torque	3 to 4 Nm
Impact Strength	Impact Energy 10 Joules - IK 09 EN 60068-2-75
Service Temperature	-60°C to +140°C
Surface	Painted / Non - Painted
Components	Fastening threads M6 in the enclosure bottom
Process Control System	ISO 9001 - 2015, IEC 80079 - 34 - 2011

AVAILABLE ON DEMAND	
DIN Rail	Yes
Mounting Plate	Yes
External Mounting Brackets	Stainless Steel 1.4301 (A2)
Gasket	Silicon / Viton / EMC
Protection	No
Surface	Corrosion Protection / Special Colours
Hinges	External

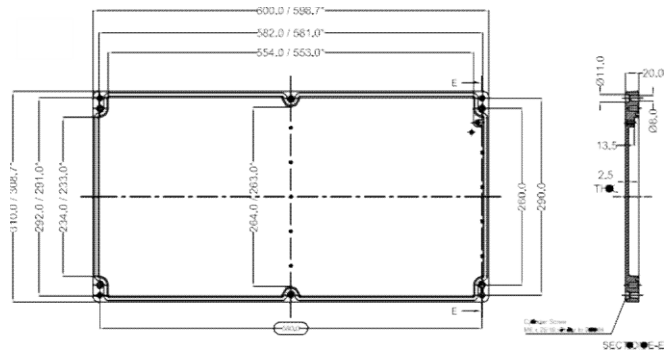
RJ33



BASE



LID



PRODUCT SPECIFICATION

Dim (LxWxH):	600 X 310 X 110
Model No:	RJ33
Order No :	RJ33
Weight (gm):	10300

TECHNICAL SPECIFICATION

Material	AISI 12, as per DIN EN 1706
Colour	RAL 7001, 7031, 7032, 7035, 7038, Black RAL 9004
Protection	IP66 as per IEC 60529
Gasket	Neoprene Gasket
Lid Screw	Stainless Steel 1.4301 (A2), captive - M6
Tightening Torque	3 to 4 Nm
Impact Strength	Impact Energy 10 Joules - IK 09 EN 60068-2-75
Service Temperature	-60°C to +140°C
Surface	Painted / Non - Painted
Components	Fastening threads M6 in the enclosure bottom
Process Control System	ISO 9001 - 2015, IEC 80079 - 34 - 2011

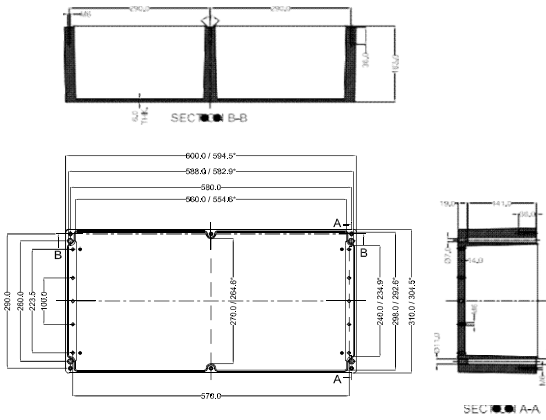
AVAILABLE ON DEMAND

DIN Rail	Yes
Mounting Plate	Yes
External Mounting Brackets	Stainless Steel 1.4301 (A2)
Gasket	Silicon / Viton / EMC
Protection	No
Surface	Corrosion Protection / Special Colours
Hinges	External

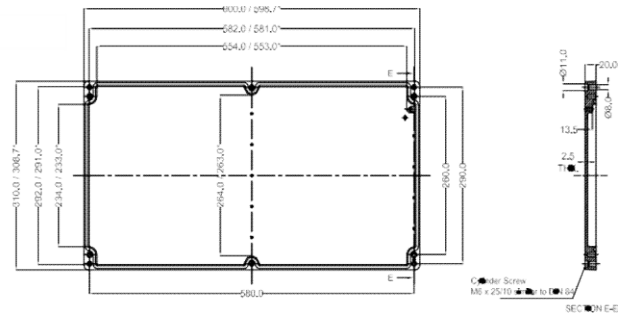
RJ34



BASE



LID



PRODUCT SPECIFICATION	
Dim (LxWxH):	600 X 310 X 180
Model No:	RJ34
Order No :	RJ34
Weight (gm):	14400

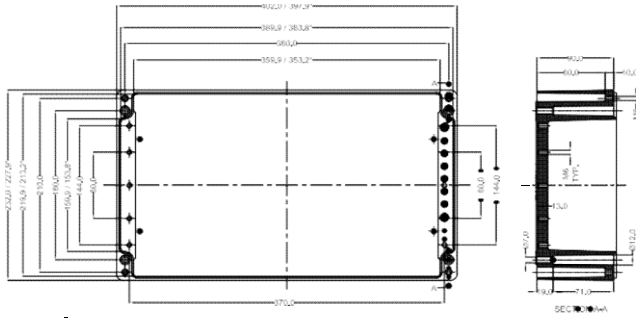
TECHNICAL SPECIFICATION	
Material	AlSi 12, as per DIN EN 1706
Colour	RAL 7001, 7031, 7032, 7035, 7038, Black RAL 9004
Protection	IP66 as per IEC 60529
Gasket	Neoprene Gasket
Lid Screw	Stainless Steel 1.4301 (A2), captive - M6
Tightening Torque	3 to 4 Nm
Impact Strength	Impact Energy 10 Joules - IK 09 EN 60068-2-75
Service Temperature	-60°C to +140°C
Surface	Painted / Non - Painted
Components	Fastening threads M6 in the enclosure bottom
Process Control System	ISO 9001 - 2015, IEC 80079 - 34 - 2011

AVAILABLE ON DEMAND	
DIN Rail	Yes
Mounting Plate	Yes
External Mounting Brackets	Stainless Steel 1.4301 (A2)
Gasket	Silicon / Viton / EMC
Protection	No
Surface	Corrosion Protection / Special Colours
Hinges	External

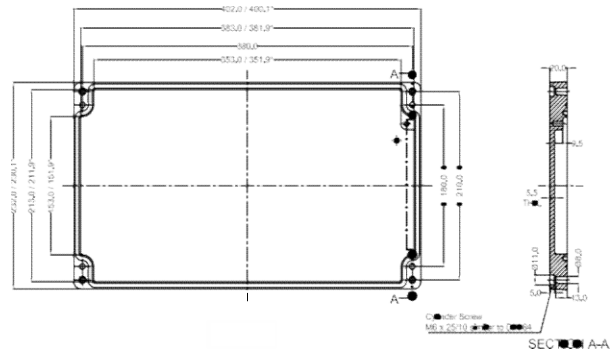
RJ35



BASE



LID



PRODUCT SPECIFICATION

Dim (LxWxH):	400 X 230 X 110
Model No:	RJ35
Order No :	RJ35
Weight (gm):	5310

TECHNICAL SPECIFICATION

Material	AISI 12, as per DIN EN 1706
Colour	RAL 7001, 7031, 7032, 7035, 7038, Black RAL 9004
Protection	IP66 as per IEC 60529
Gasket	Neoprene Gasket
Lid Screw	Stainless Steel 1.4301 (A2), captive - M6
Tightening Torque	3 to 4 Nm
Impact Strength:	Impact Energy 10 Joules - IK 09 EN 60068-2-75
Service Temperature	-60°C to +140°C
Surface	Painted / Non - Painted
Components	Fastening threads M6 in the enclosure bottom
Process Control System	ISO 9001 - 2015, IEC 80079 - 34 - 2011

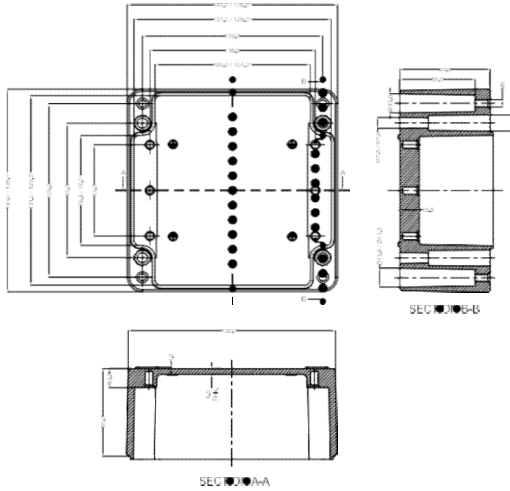
AVAILABLE ON DEMAND

DIN Rail	Yes
Mounting Plate	Yes
External Mounting Brackets	Stainless Steel 1.4301 (A2)
Gasket	Silicon / Viton / EMC
Protection	No
Surface	Corrosion Protection / Special Colours
Hinges	External

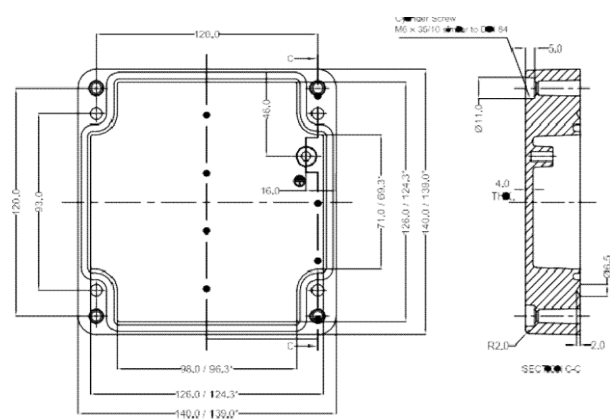
RJ36



BASE



LID



PRODUCT SPECIFICATION

Dim (LxWxH):	140 X 140 X 90
Model No:	RJ36
Order No :	RJ36
Weight (gm):	1465

TECHNICAL SPECIFICATION

Material	AISI 12, as per DIN EN 1706
Colour	RAL 7001, 7031, 7032, 7035, 7038, Black RAL 9004
Protection	IP66 as per IEC 60529
Gasket	Neoprene Gasket
Lid Screw	Stainless Steel 1.4301 (A2), captive - M6
Tightening Torque:	3 to 4 Nm
Impact Strength	Impact Energy 10 Joules - IK 09 EN 60068-2-75
Service Temperature	-60°C to +140°C
Surface	Painted / Non - Painted
Components	Fastening threads M6 in the enclosure bottom
Process Control System	ISO 9001 - 2015, IEC 80079 - 34 - 2011

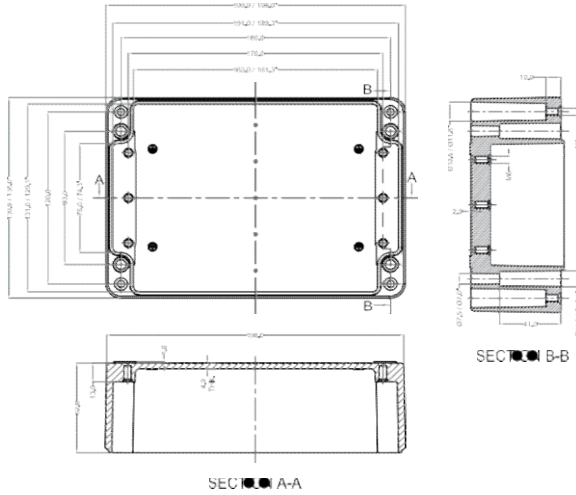
AVAILABLE ON DEMAND

DIN Rail	Yes
Mounting Plate	Yes
External Mounting Brackets	Stainless Steel 1.4301 (A2)
Gasket	Silicon / Viton / EMC
Protection	IP67 / IP68
Surface	Corrosion Protection / Special Colours
Hinges	External / Internal

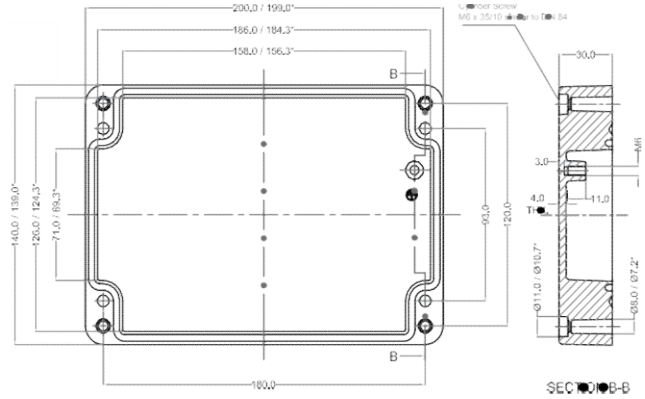
RJ37



BASE



LID



PRODUCT SPECIFICATION

Dim (LxWxH):	200 X 140 X 90
Model No:	RJ37
Order No :	RJ37
Weight (gm):	1750

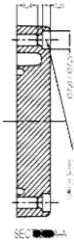
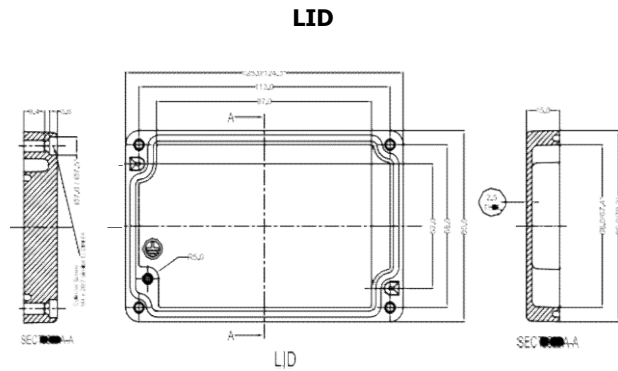
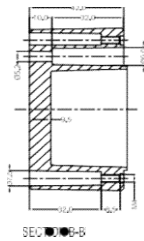
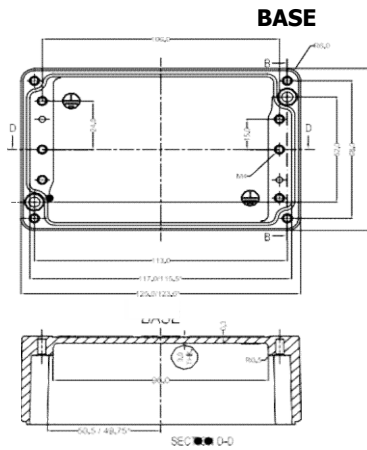
TECHNICAL SPECIFICATION

Material:	AISI 12, as per DIN EN 1706
Colour:	RAL 7001, 7031, 7032, 7035, 7038, Black RAL 9004
Protection:	IP66 as per IEC 60529
Gasket:	Neoprene Gasket
Lid Screw:	Stainless Steel 1.4301 (A2), captive - M6
Tightening Torque:	3 to 4 Nm
Impact Strength:	Impact Energy 10 Joules - IK 09 EN 60068-2-75
Service Temperature(Degree Celsius)	-60°C to +140°C
Surface:	Painted / Non - Painted
Components:	Fastening threads M6 in the enclosure bottom
Process Control System	ISO 9001 - 2015, IEC 80079 - 34 - 2011

AVAILABLE ON DEMAND

DIN Rail	Yes
Mounting Plate	Yes
External Mounting Brackets	Stainless Steel 1.4301 (A2)
Gasket	Silicon / Viton / EMC
Protection	IP67 / IP68
Surface	Corrosion Protection / Special Colours
Hinges	External / Internal

RJ06



PRODUCT SPECIFICATION	
Dim (LxWxH):	125 X 80 X 57
Model No:	RJ06
Order No :	RJ06
Weight (gm):	419

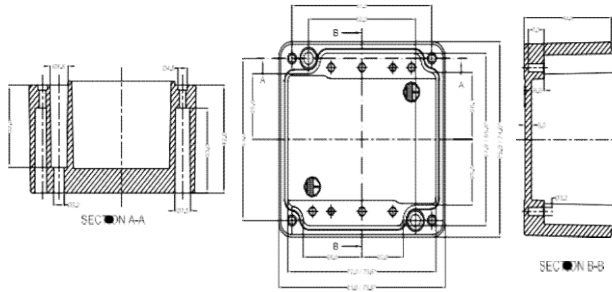
TECHNICAL SPECIFICATION	
Material	AlSi 12, as per DIN EN 1706
Colour	RAL 7001, 7031, 7032, 7035, 7038, Black RAL 9004
Protection	IP66 as per IEC 60529
Gasket	Neoprene Gasket
Lid Screw	Stainless Steel 1.4301 (A2), captive - M4
Tightening Torque	2 to 3 Nm
Impact Strength	Impact Energy 10 Joules - IK 09 EN 60068-2-75
Service Temperature	-60°C to +140°C
Surface	Painted / Non - Painted
Components	Fastening threads M4 in the enclosure bottom
Process Control System	ISO 9001 - 2015, IEC 80079 - 34 - 2011

AVAILABLE ON DEMAND	
DIN Rail	TS15
Mounting Plate	Yes
External Mounting Brackets	No
Gasket	Silicon / Viton / EMC
Protection	IP67 / IP68
Surface	Corrosion Protection / Special Colours
Hinges	No

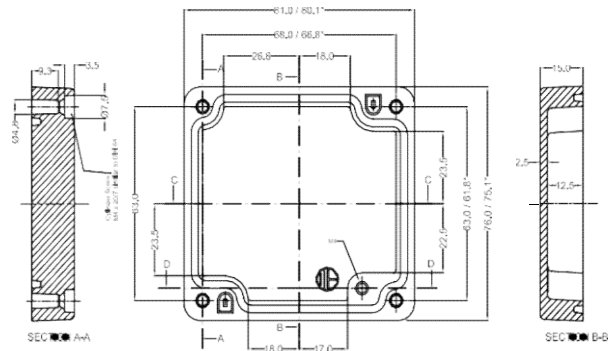
RJ07



BASE



LID



PRODUCT SPECIFICATION

Dim (LxWxH):	175 X 80 X 57
Model No:	RJ07
Order No :	RJ07
Weight (gm):	559

TECHNICAL SPECIFICATION

Material	AlSi 12, as per DIN EN 1706
Colour	RAL 7001, 7031, 7032, 7035, 7038, Black RAL 9004
Protection	IP66 as per IEC 60529
Gasket	Neoprene Gasket
Lid Screw	Stainless Steel 1.4301 (A2), captive - M4
Tightening Torque	2 to 3 Nm
Impact Strength	Impact Energy 10 Joules - IK 09 EN 60068-2-75
Service Temperature	-60°C to +140°C
Surface	Painted / Non - Painted
Components	Fastening threads M4 in the enclosure bottom
Process Control System	ISO 9001 - 2015, IEC 80079 - 34 - 2011

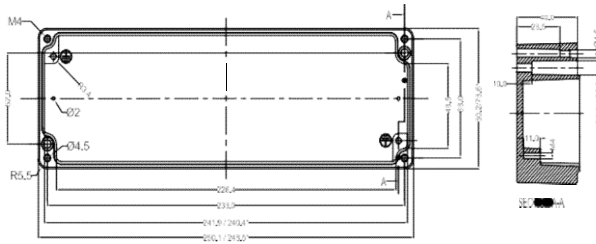
AVAILABLE ON DEMAND

DIN Rail	Yes
Mounting Plate	Yes
External Mounting Brackets	No
Gasket	Silicon / Viton / EMC
Protection	IP67 / IP68
Surface	Corrosion Protection / Special Colours
Hinges	No

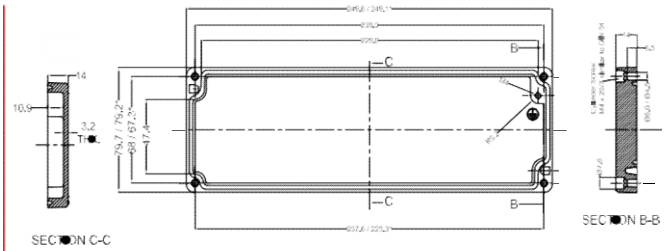
RJ08



BASE



LID



PRODUCT SPECIFICATION

Dim (LxWxH):	250 X 80 X 57
Model No:	RJ08
Order No :	RJ08
Weight (gm):	779

TECHNICAL SPECIFICATION

Material:	AlSi 12, as per DIN EN 1706
Colour:	RAL 7001, 7031, 7032, 7035, 7038, Black RAL 9004
Protection:	IP66 as per IEC 60529
Gasket:	Neoprene Gasket
Lid Screw:	Stainless Steel 1.4301 (A2), captive - M4
Tightening Torque:	2 to 3 Nm
Impact Strength:	Impact Energy 10 Joules - IK 09 EN 60068-2-75
Service Temperature(Degree Celsius)	-60°C to +140°C
Surface:	Painted / Non - Painted
Components:	Fastening threads M6 in the enclosure bottom
Process Control System	ISO 9001 - 2015, IEC 80079 - 34 - 2011

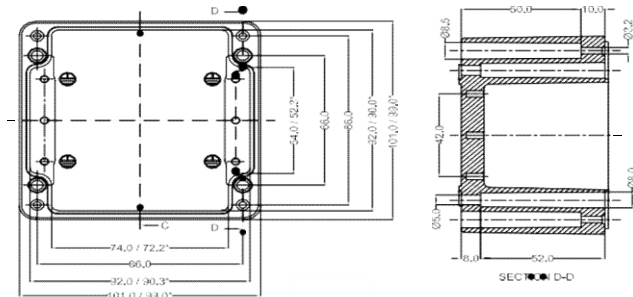
AVAILABLE ON DEMAND

DIN Rail	Yes
Mounting Plate	Yes
External Mounting Brackets	No
Gasket	Silicon / Viton / EMC
Protection	IP67 / IP68
Surface	Corrosion Protection / Special Colours
Hinges:	No

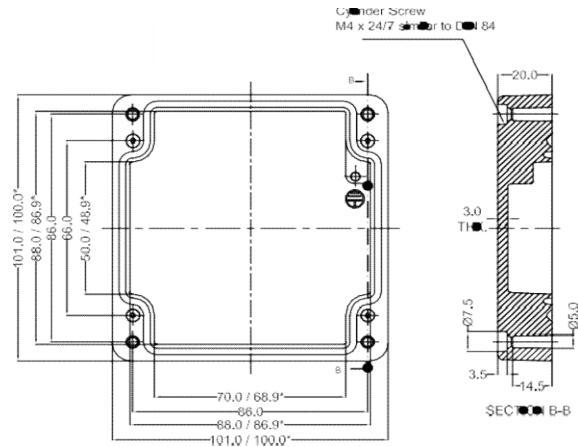
RJ09



BASE



LID



PRODUCT SPECIFICATION

Dim (LxWxH):	100 X 100 X 81
Model No:	RJ09
Order No :	RJ09
Weight (gm):	751

TECHNICAL SPECIFICATION

Material	AlSi 12, as per DIN EN 1706
Colour	RAL 7001, 7031, 7032, 7035, 7038, Black RAL 9004
Protection	IP66 as per IEC 6052
Gasket	Neoprene Gasket
Lid Screw	Stainless Steel 1.4301 (A2), captive - M4
Tightening Torque	2 to 3 Nm
Impact Strength	Impact Energy 10 Joules - IK 09 EN 60068-2-75
Service Temperature	-60°C to +140°C
Surface	Painted / Non - Painted
Components	Fastening threads M6 in the enclosure bottom
Process Control System	ISO 9001 - 2015, IEC 80079 - 34 - 2011

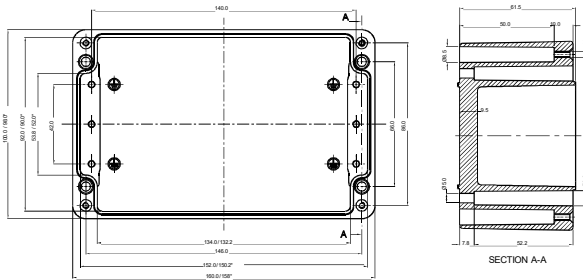
AVAILABLE ON DEMAND

DIN Rail	Yes
Mounting Plate	Yes
External Mounting Brackets	No
Gasket	Silicon / Viton / EMC
Protection	IP67 / IP68
Surface	Corrosion Protection / Special Colours
Hinges	No

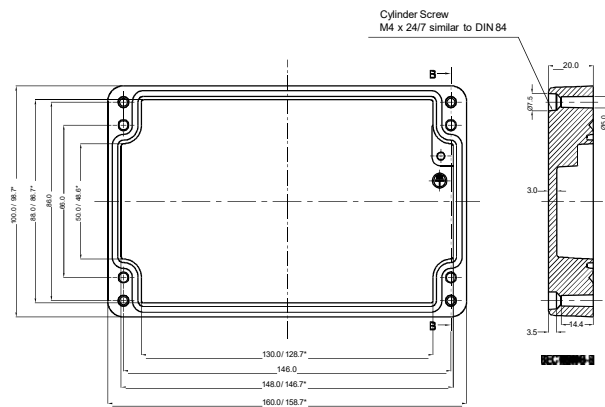
RJ10



BASE



LID



PRODUCT SPECIFICATION	
Dim (LxWxH):	160 X 100 X 81
Model No:	RJ10
Order No :	RJ10
Weight (gm):	851

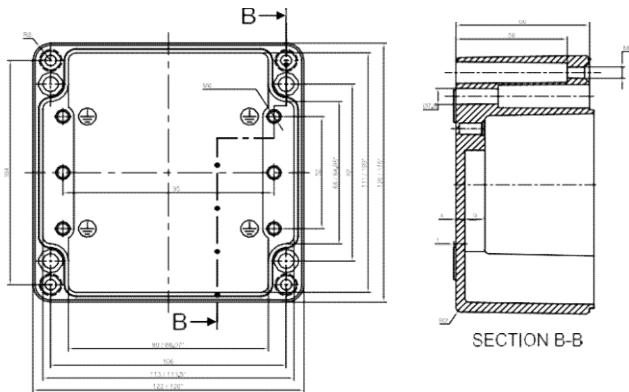
TECHNICAL SPECIFICATION	
Material	AISI 12, as per DIN EN 1706
Colour	RAL 7001, 7031, 7032, 7035, 7038, Black RAL 9004
Protection	IP66 as per IEC 60529
Gasket	Neoprene Gasket
Lid Screw	Stainless Steel 1.4301 (A2), captive - M4
Tightening Torque	2 to 3 Nm
Impact Strength	Impact Energy 10 Joules - IK 09 EN 60068-2-75
Service Temperature	-60°C to +140°C
Surface:	Painted / Non - Painted
Components:	Fastening threads M6 in the enclosure bottom
Process Control System	ISO 9001 - 2015, IEC 80079 - 34 - 2011

AVAILABLE ON DEMAND	
DIN Rail	Yes
Mounting Plate	Yes
External Mounting Brackets	Stainless Steel 1.4301 (A2)
Gasket	Silicon / Viton / EMC
Protection	IP67 / IP68
Surface	Corrosion Protection / Special Colours
Hinges	External

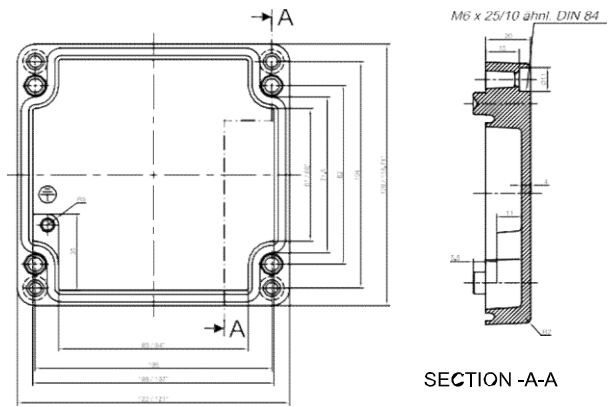
RJ11



BASE



LID



PRODUCT SPECIFICATION

Dim (LxWxH):	122 X 120 X 81
Model No:	RJ11
Order No :	RJ11
Weight (gm):	1013

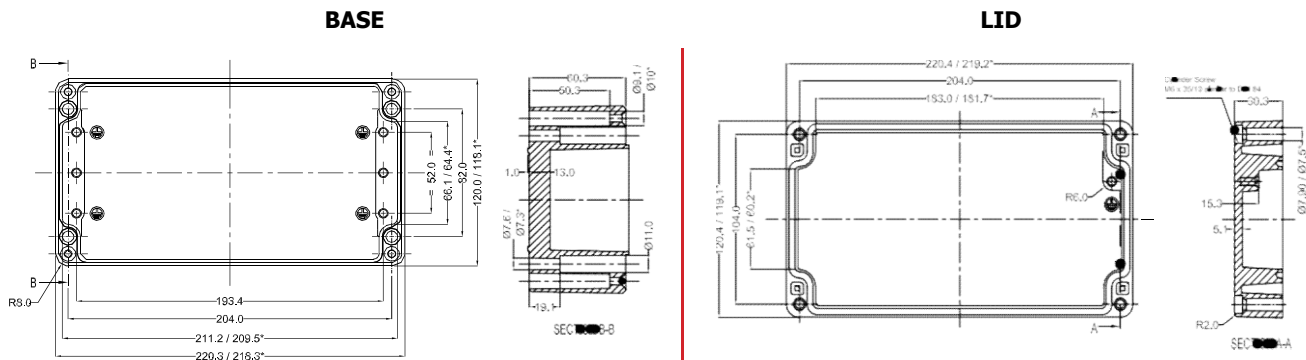
TECHNICAL SPECIFICATION

Material	AISI 12, as per DIN EN 1706
Colour	RAL 7001, 7031, 7032, 7035, 7038, Black RAL 9004
Protection	IP66 as per IEC 60529
Gasket	Neoprene Gasket
Lid Screw	Stainless Steel 1.4301 (A2), captive - M6
Tightening Torque	3 to 4 Nm
Impact Strength	Impact Energy 10 Joules - IK 09 EN 60068-2-75
Service Temperature	-60°C to +140°C
Surface	Painted / Non - Painted
Components	Fastening threads M6 in the enclosure bottom
Process Control System	ISO 9001 - 2015, IEC 80079 - 34 - 2011

AVAILABLE ON DEMAND

DIN Rail	Yes
Mounting Plate	Yes
External Mounting Brackets	Stainless Steel 1.4301 (A2)
Gasket	Silicon / Viton / EMC
Protection	IP67 / IP68
Surface	Corrosion Protection / Special Colours
Hinges	External

RJ12



PRODUCT SPECIFICATION	
Dim (LxWxH):	220 X 120 X 90
Model No:	RJ12
Order No :	RJ12
Weight (gm):	1752

TECHNICAL SPECIFICATION	
Material	AlSi 12, as per DIN EN 1706
Colour	RAL 7001, 7031, 7032, 7035, 7038, Black RAL 9004
Protection	IP66 as per IEC 60529
Gasket	Neoprene Gasket
Lid Screw	Stainless Steel 1.4301 (A2), captive - M6
Tightening Torque	3 to 4 Nm
Impact Strength	Impact Energy 10 Joules - IK 09 EN 60068-2-75
Service Temperature	-60°C to +140°C
Surface	Painted / Non - Painted
Components	Fastening threads M6 in the enclosure bottom
Process Control System	ISO 9001 - 2015, IEC 80079 - 34 - 2011

AVAILABLE ON DEMAND	
DIN Rail	Yes
Mounting Plate	Yes
External Mounting Brackets	Stainless Steel 1.4301 (A2)
Gasket	Silicon / Viton / EMC
Protection	IP67 / IP68
Surface	Corrosion Protection / Special Colours
Hinges	External