

Installation Instructions for SHARP Built-in Kits model number RK-J32W/RK-J32S

Before installing a Sharp Microwave Oven, read carefully this instructions and your Microwave Oven operation manual.

SAFETY INFORMATION

1. Disconnect the oven from the power supply before installation.
2. To avoid damage caused by heat, do not install directly adjacent to a conventional oven (in particular front venting ovens). The manufacture nor the distributors can accept liability for damage to the microwave oven or built-in kit caused by incorrect installation.
3. Surround
 - a. Make sure that the Sharp Built-in Kit is the correct surround for your oven.
 - b. The Sharp Microwave Ovens are designed to either stand neatly on a kitchen counter top or to be built into a fitted kitchen cabinet using the Sharp Built-in Kits only.
4. Kitchen cabinet

Prepare the kitchen cabinet as follows;

 - a. The opening in the kitchen cabinet must be of the following dimensions as shown in Fig. 1. To keep the dimensions is important not only for appearance, but for ensuring the correct ventilation of the oven. The shelf of the kitchen cabinet should be made to withstand the weight of the microwave oven to be installed and the heaviest item likely to be cooked in the microwave oven. Refer to the following Sharp microwave oven weight.

	WIDTH	HEIGHT	DEPTH	Applicable oven weight
Kitchen cabinet opening dimensions	560-564mm	403-409mm	489mm (min.)	Approx. 17 kg
Built-in kit surround dimensions	596mm	423.4mm	—	—

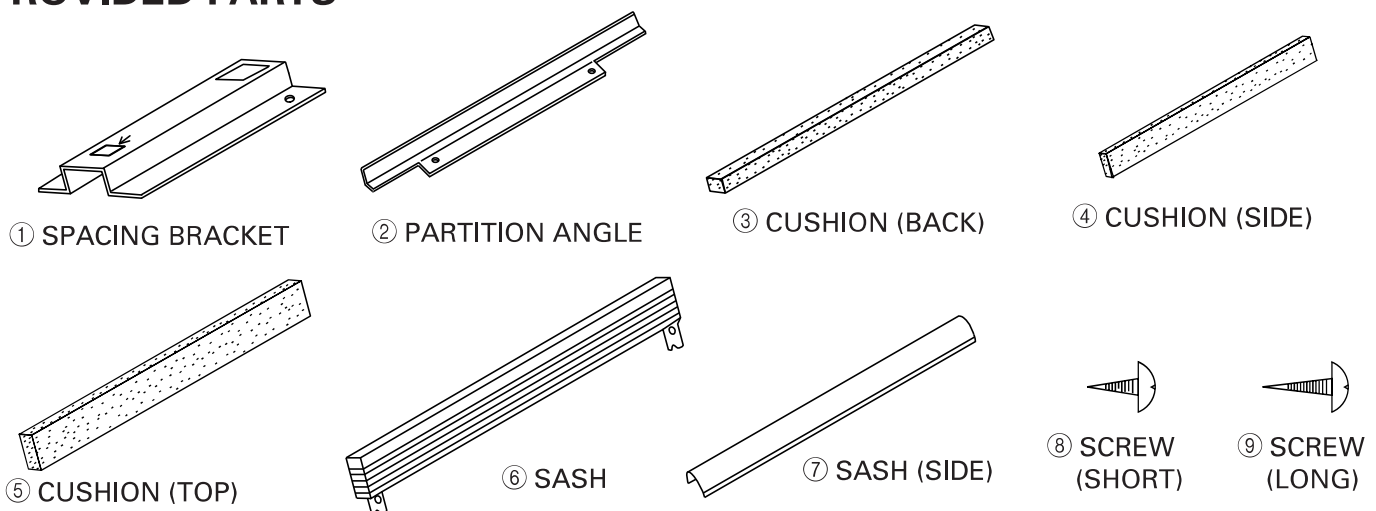
- b. Make sure that the back panel (F) is always fitted to ensure correct ventilation of the oven. The ventilation gap (D) must be 50 mm as shown in Fig. 1 and Fig. 5. And the ventilation gap (E) must be minimum 550mm as shown in Fig. 1.
 - c. The dimension from the shelf of kitchen cabinet to the upper cupboard door must be minimum 427 mm as shown in Fig. 2.
5. Fixing

To avoid any possibility of the kitchen cabinet moving when the microwave oven is installed, it is essential that the kitchen cabinet is fixed to the back wall.

If the appliance is ever removed from the cabinet it should be re-installed in accordance with these instructions, which should be kept in a safe place for future reference.

The manufacturer and/or the distributors of this product cannot be held liable for any damages to the microwave oven and/or the built-in kit caused by improper installation or adjustment.

PROVIDED PARTS



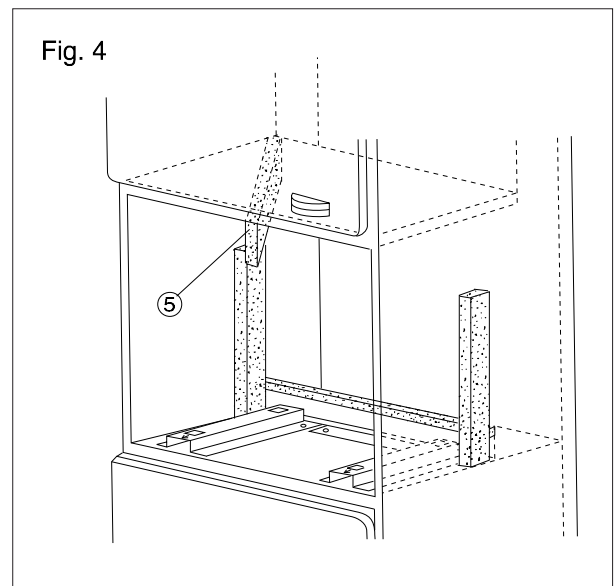
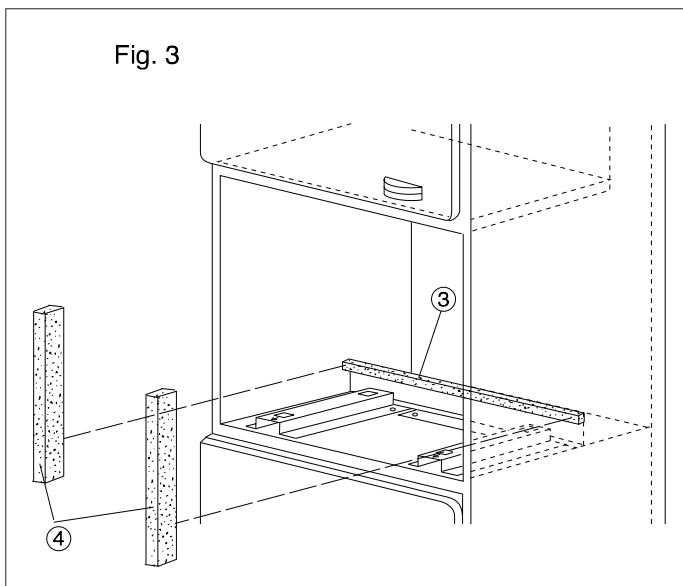
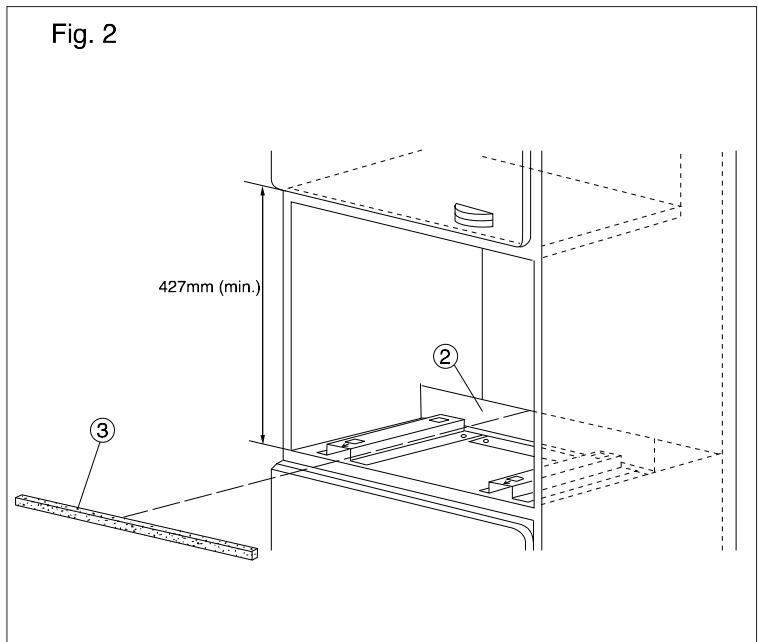
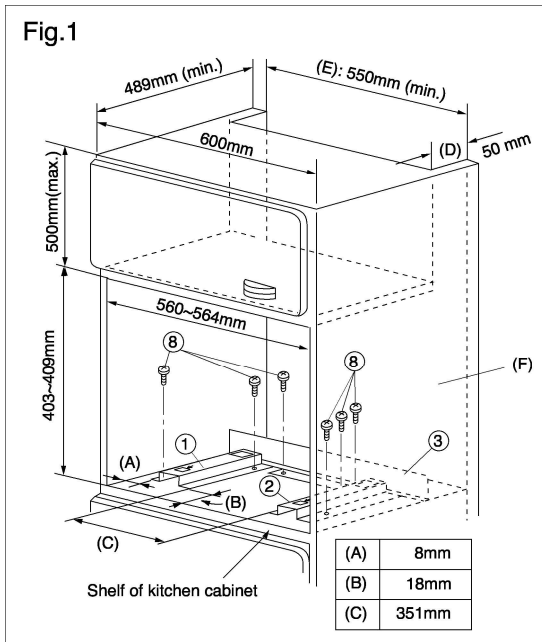
INSTALLATION INSTRUCTIONS

1. Provide a suitable hole in the right side wall of the kitchen cabinet behind the partition angle ② for the power supply cord and plug. If you want to have a hole in the left wall of the cabinet, the hole should be provided down the wall.
The electrical outlet must be readily accessible so that the unit can be unplugged easily in an emergency.

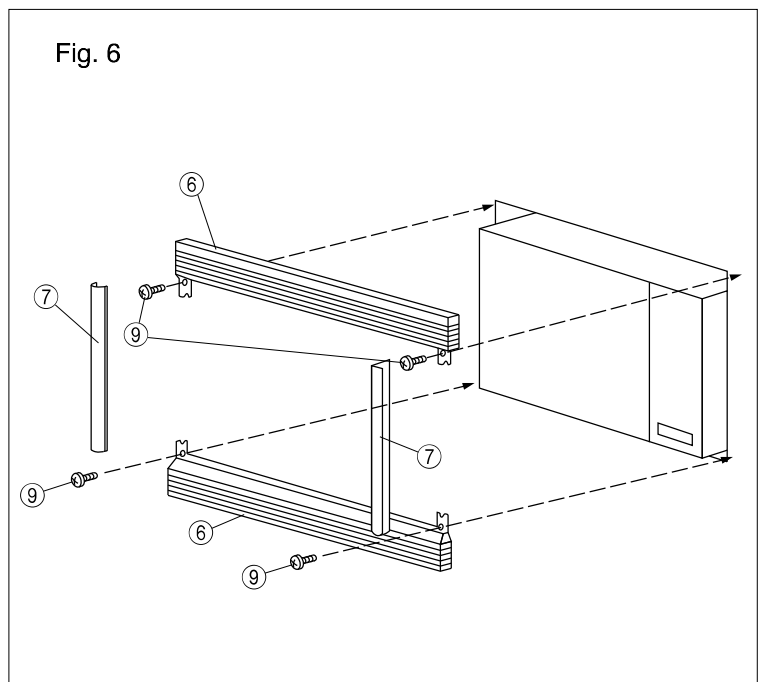
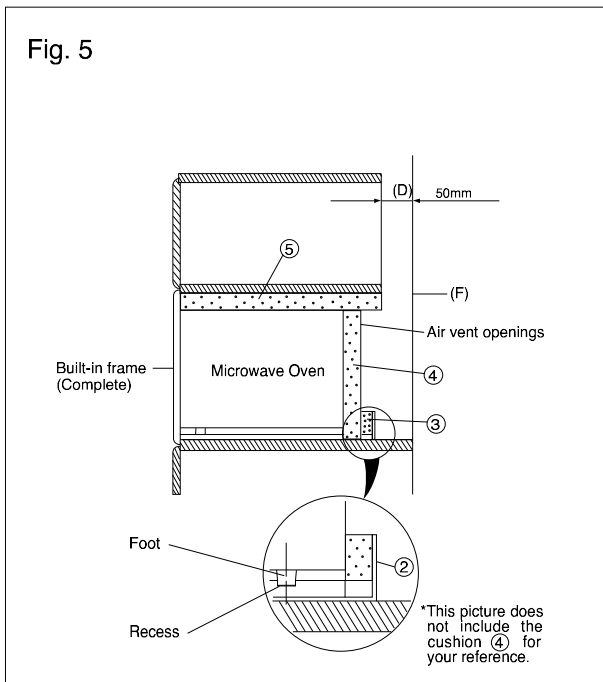
2. Set one spacing bracket ① on the shelf keeping a distance (A) between the left wall of the kitchen cabinet and the spacing bracket, and a distance (B) between the front end of the shelf and the spacing bracket as shown in Fig. 1. Attach it with the two screws ⑧ as shown in Fig. 1. And then attach the other spacing bracket ① on the shelf keeping a distance (C) between the two spacing brackets, and a distance (B) between the front end of the shelf and the spacing bracket with two screws ⑧ as shown in Fig. 1.

Caution: The arrow marks on each spacing bracket should be pointing towards you.

3. Place the partition angle ② at the end of the spacing brackets ①, and attach it with the two screws ⑧ as shown in Fig. 1.
4. Remove the backing paper from the cushion ③. Attach the cushion ③ to the partition angle ② as shown in Fig. 2, Fig. 3 and Fig. 5.
5. Remove the backing papers from the two cushions ④. Attach the cushions ④ along the side walls of the shelf on the cushion ③ as shown in Fig. 3, Fig. 4 and Fig. 5.
6. Remove the backing paper from the cushion ⑤. Attach the cushion ⑤ to the ceiling of the kitchen cabinet from the centre of the opening as shown in Fig. 4 and fig. 5.



7. Place the oven on the spacing brackets ① on the shelf of the kitchen cabinet.
8. Connect the oven to the power supply.
Caution: Connect the oven to the power supply 230 - 240 V, 50Hz.
9. Adjust the position of the oven so that the feet of the oven are fitted into the recesses of the spacing brackets as shown in Fig. 5.
10. Place the sash ⑥ on top of the oven making sure that it is level both vertically and horizontally. Secure to the kitchen cabinet with two screws ⑨ as shown in Fig. 6.
11. Place the second sash ⑥ at bottom edge of the oven. Check location by measuring distance between upper and lower sashes ⑥ with each sashes ⑦. Secure to the kitchen cabinet with two screws ⑨ as shown in Fig. 6. And then install two sashes ⑦ by snapping them into place as shown in Fig. 6.



PART NUMBER

NO.	PARTS	RK-J32W	RK-J32S	Q'TY
①	SPACING BRACKET	LANGKA931WRWZ	LANGKA931WRWZ	2
②	PARTITION ANGLE	LANGKA930WRWZ	LANGKA930WRWZ	1
③	CUSHION (BACK)	PCUSUA532WRPZ	PCUSUA532WRPZ	1
④	CUSHION (SIDE)	PCUSUA621WRPZ	PCUSUA621WRPZ	2
⑤	CUSHION (TOP)	PCUSUA620WRPZ	PCUSUA620WRPZ	1
⑥	SASH	GWAKPA177WRF0	GWAKPB073WRTZ	2
⑦	SASH (SIDE)	GWAKPB088WRFZ	GWAKPB089WRTZ	2
⑧	SCREW (SHORT)	XMMS741P13000	XMMS741P13000	6
⑨	SCREW (LONG)	XMMS741P20000	XMMS741P20000	4