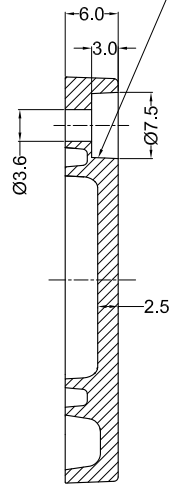


* = Conical form tapering downward,
 Untoleranced dimensions per GTA 13/5 DIN 1688

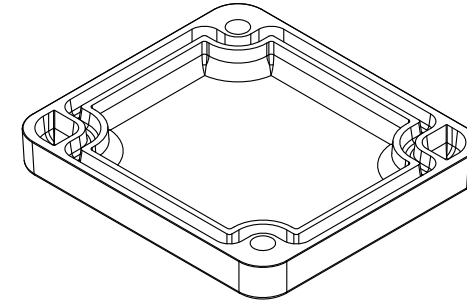
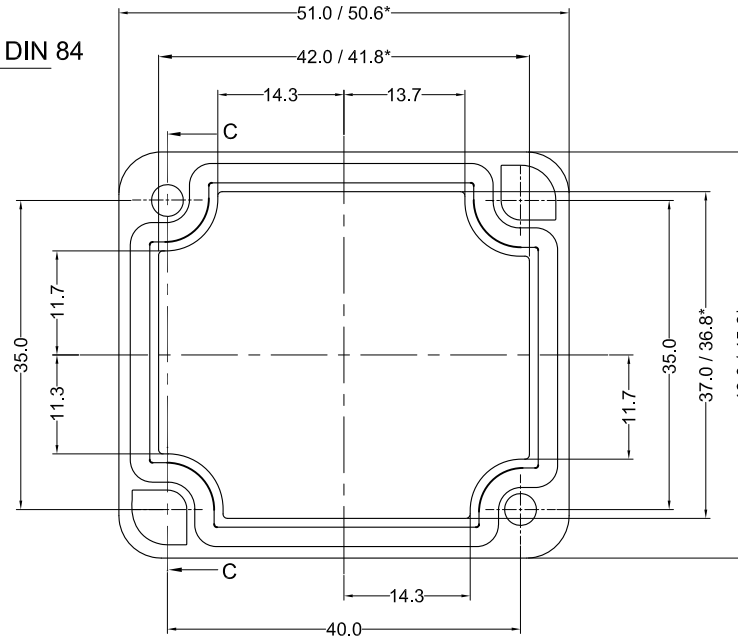
OPTIONAL ACCESSORIES

| PART NAME | QTY | AVAILABILITY |
|-------------------------|-----|--------------|
| MOUNTING PLATE | - | N |
| EXTERNAL HINGE | - | N |
| INTERNAL HINGE | - | N |
| MOUNTING BRACKETS | - | N |
| NEOPRENE/SILICON GASKET | 1 | Y |
| DIN RAIL TS15 | - | N |
| DIN RAIL TS35 | - | N |

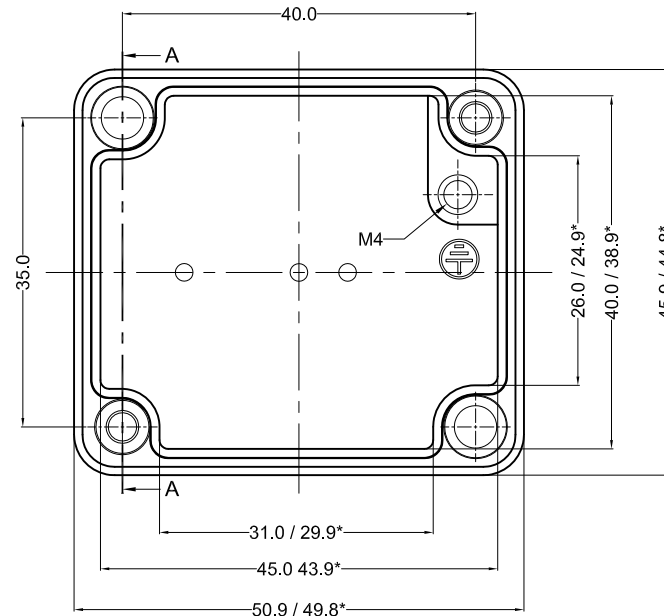
Cylinder Screw
 M4 x 20/7 similar to DIN 84



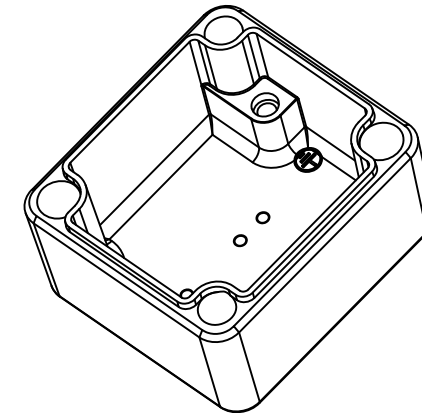
SECTION C-C



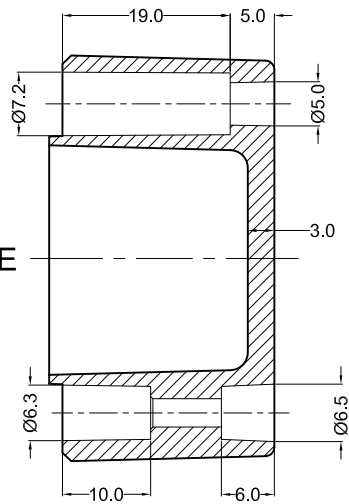
LID



SECTION A-A



BASE



| NO. | REV.NO. | DESCRIPTION | DATE | DRAWN | CHECKED |
|-----------------|-------------------------|--|----------|------------|---------------|
| QUANTITY | MATERIAL :- | MACH.NAME | DATE | SIGN | NAME |
| - | Alsi12 | - | 07/06/12 | | RRPL DESIGN |
| | Din230 | TITLE :- | 07/06/12 | | MANOJ DRAWN |
| | WEIGHT: FINISH: | JUNCTION BOX | | | PAVAN CHECKED |
| | NATURAL | 50 x 45 x 30 | | | S.D. APPROVED |
| TOLERANCE | | Raychem RPG (P) Limited | SCALE | PARTNO. | |
| ±0.1 DIMENSIONS | | Ceat Mahal Annexe, Dr. Annie Besant Road, Worli, Mumbai 400030 | | REV | |
| ±0.1 HOLES | ALL DIMENSION ARE IN MM | Web : www.raychemrpg.com | | DRG. NO. | |
| ±1.0° ANGLES | RJ 01 | | | AJB-504530 | |

PROPERTY OF RaychemRPG (P) LTD.
 ALL RIGHTS RESERVED AND/OR PHOTOCOPYING THIS DOCUMENT
 TO A PERSON WITHOUT RaychemRPG (P) LTD. WRITTEN AUTHORIZATION IS PROHIBITED