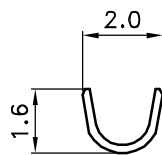
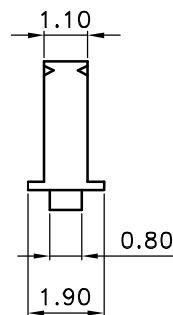


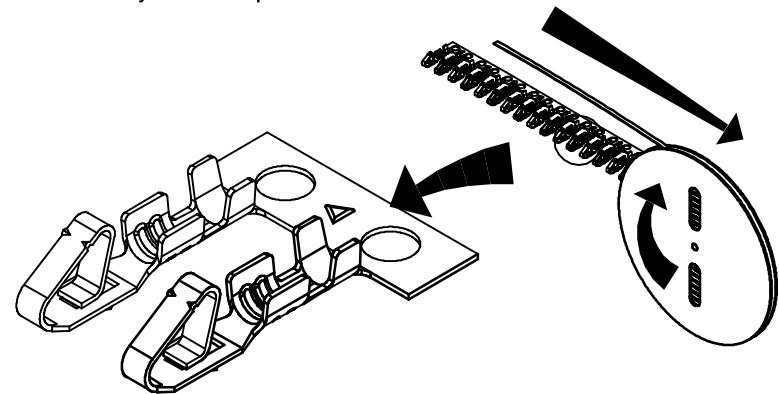
A-A SEC



B-B SEC



C-C SEC



■ SPECIFICATIONS

- Current Rating : 3A AC/DC
- Withstanding Voltage : 1000V AC/minute
- Insulation Resistance : 1000M Ω min
- Temperature Range : - 25°C to + 85°C
- Contact Resistance : 20m Ω max

▲ ■ TERMINAL

- Part No. : JS-8001-TXX(XX)

Code No: ① ②

- ① T : Standard Process, Brass
TP : Stamping before Plated, Brass
PBT : Standard Process, Phosphor Bronze
- ▲ PBTP : Stamping before Plated, Phosphor Bronze
- ② Plated : Blank : Tin Plated(80u" Tin-Lead Plating.
15u"Min Nickel Under Plating.)
- ▲ G : Gold Flash
G1 : 1. Gold 30u"(Phosphor Bronze)
2. Selec Gold(Brass)
G2 : Gold 10u"(Brass)
G6 : Gold 5u"(Brass)

- Applicable Wires : AWG # 22 - 28
- Material : Refer the above narrative
- Thickness : 0.2 mm
- Q' ty : 10000 pcs./Reel



喬訊電子工業股份有限公司
CHYAO SHIUNN
ELECTRONIC INDUSTRIAL LTD.

APPROVED BY	SCALE	UNIT	TOLERANCE	LTR	REVISION RECORD	NAME	DATE	LTR	REVISION RECORD	NAME	DATE
Tom Shih		mm	.0 ±0.30	▲				▲			
CHECKED BY	PROJ	VER NO.	.00 ±0.20	▲	JS-8001-TXX(XX) 2.54mm Crimp Style Connectors Terminal	劉怡堂	11/04/06	▲			
Erin Chou		a4	.000 ±0.10	▲	物性表更新成球標選項樣式並新增端子PBTP規格	Tom Lee	17/09/04	▲			
DRAWN BY	DATE	SIZE	ANGLE	▲	電鍍刷金選項刪除黃銅斜限定改為通用	Tom Lee	17/12/15	▲			
Tom Lee	2017/12/15	A4	0° ±1°	▲				▲			
			.0° ±	▲				▲			
			SHEET 1/1	▲				▲			
									CUSTOMER		
									Conforms to The RoHS Instruction		

PART NO JS-8001-TXX(XX)
2.54mm Crimp Style Connectors Terminal