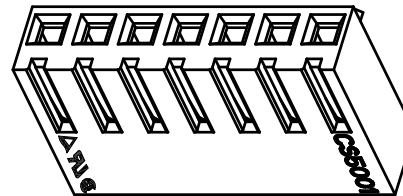
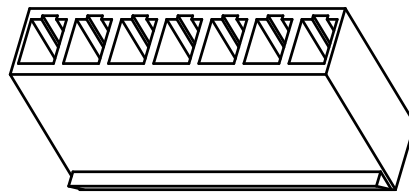
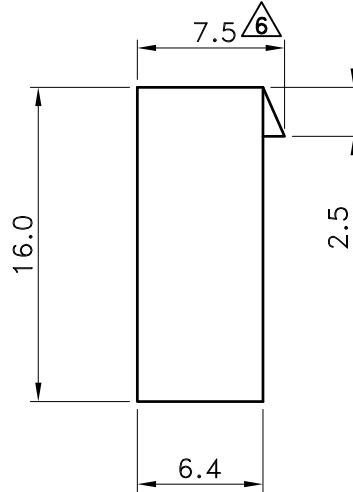


Poles	Dimensions(mm)	
	A	B
2	3.96	8.92
3	7.92	12.88
4	11.88	16.84
5	15.84	20.80
6	19.80	24.76
7	23.76	28.72
8	27.72	32.68
9	31.68	36.64
10	35.64	40.60
11	39.60	44.56
12	43.56	48.52
13	47.52	52.48
14	51.48	56.44
15	55.44	60.40
16	59.40	64.36



3D VIEW 4

SPECIFICATIONS

- Rated Voltage : 250 V AC/DC 5
- Current Rating : 7A AC/DC
- Withstanding Voltage : 1,500V AC/minute
- Insulation Resistance : 1,000MΩ min
- Temperature Range : - 25°C to + 85°C
- Contact Resistance : 20mΩ max

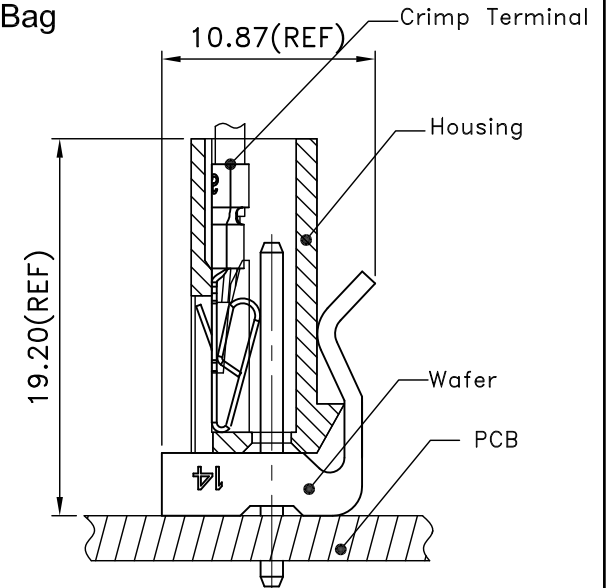
HOUSING

- Part No. : JS-5001-XX XX 5 1 2

Code No.

- ① Poles:2-16 5
- ② Color: Blank: Natural 7
BK: Black

- Material : Nylon 66 UL94V-2
- Packge : Bag



ASSEMBLE (REF) 4



喬訊電子工業股份有限公司
CHYAO SHIUNN
ELECTRONIC INDUSTRIAL LTD.

PART NO JS-5001-XX
3.96mm Crimp Style Connectors Housing

APPROVED BY	SCALE	UNIT	TOLERANCE	LTR	REVISION RECORD	NAME	DATE	LTR	REVISION RECORD	NAME	DATE
施咸光	1:1	mm	.0 ±0.30	5	增加三角標識	余秀麗	2005/05/15	5			
CHECKED BY	PROJ	VER NO.	.00 ±0.20	5	增加CS5001和UL TUV標識	金飛	2011/01/20	5			
周家慶		a7	.000 ±0.10	3	修正耐電流電壓,同時增加至16PIN	周家慶	2011/05/12	10			
DRAWN BY	DATE	SIZE	ANGLE		4	整理圖面,增加3D圖面	Jack-S	2012/06/06	CUSTOMER		
曾慶根	2019/04/12	A4	0° ±1°	5	修正料號選項,物性表Poles數修正	吳弘文	2012/07/04	Conforms to The RoHS Instruction			
			0° ±	6	修正尺寸,由7.8改為7.5	周南平	2012/09/18				
			SHEET	1/1	6	增加BK顏色選項	曾慶根	2019/04/12			