



2.54mm Ejector Header Straight Type

MATERIAL

Insulator : Polyester
Contact Pin : Brass

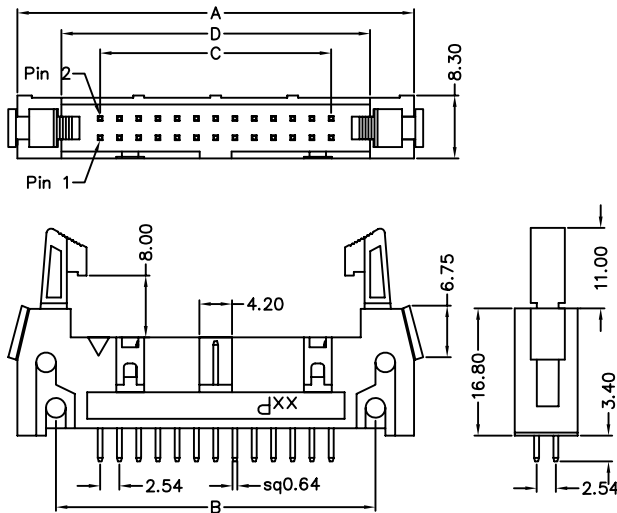
SPECIFICATION

Current Rate : 1 AMP
Insulation Resistance : 1000MΩMin. at DC 500V
Contact Resistance : 10mΩMax. at DC 100mA
Operation Temperature : -40°C to +105°C

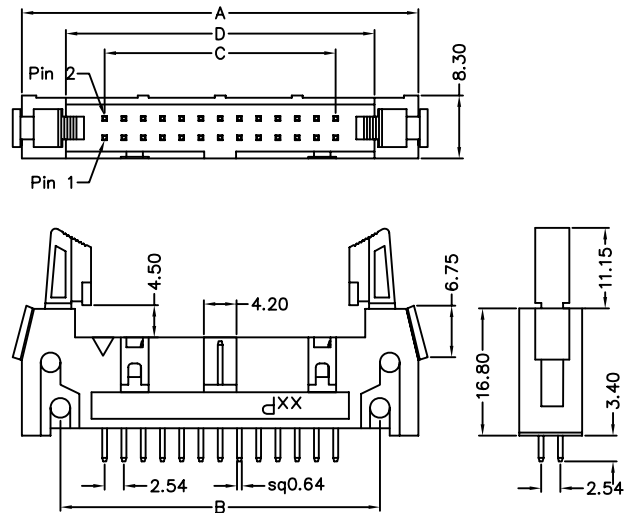


Detail Dimensions

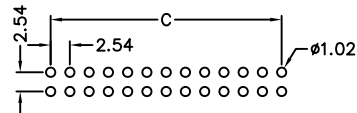
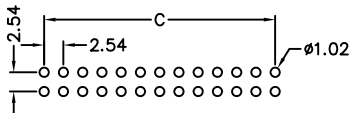
51F-70-xxGB51



51F-70-xxGB52



Recommended P.C.B Layout



Order Information

51F-x0 - xx G B xx
1 2 3 4

Standard Parts	Type
51F-70-xxGB51	Long Ejector
51F-70-xxGB52	Short Ejector

- 1. 7: Green Product
- 9: Green Product High Temp
- 2. No. of contacts
- 3. G: Gold Flash
- T: Tin Plating
- 4. Pinrex internal code

Number Of Contacts

Unit: mm

Poles	DIM A	DIM B	DIM C	DIM D	Poles	DIM A	DIM B	DIM C	DIM D
10	31.87	21.70	10.16	17.90	34	62.38	52.15	40.64	48.40
14	36.95	26.88	15.24	22.95	40	69.95	59.90	48.26	56.05
16	39.48	29.27	17.78	25.50	50	82.70	72.55	60.96	68.70
20	44.62	34.50	22.86	30.58	60	95.45	85.25	73.66	81.50
24	49.67	39.50	27.94	35.70	64	100.60	90.35	78.74	86.40
26	52.23	42.05	30.48	38.25					
30	57.30	47.20	35.56	43.35					